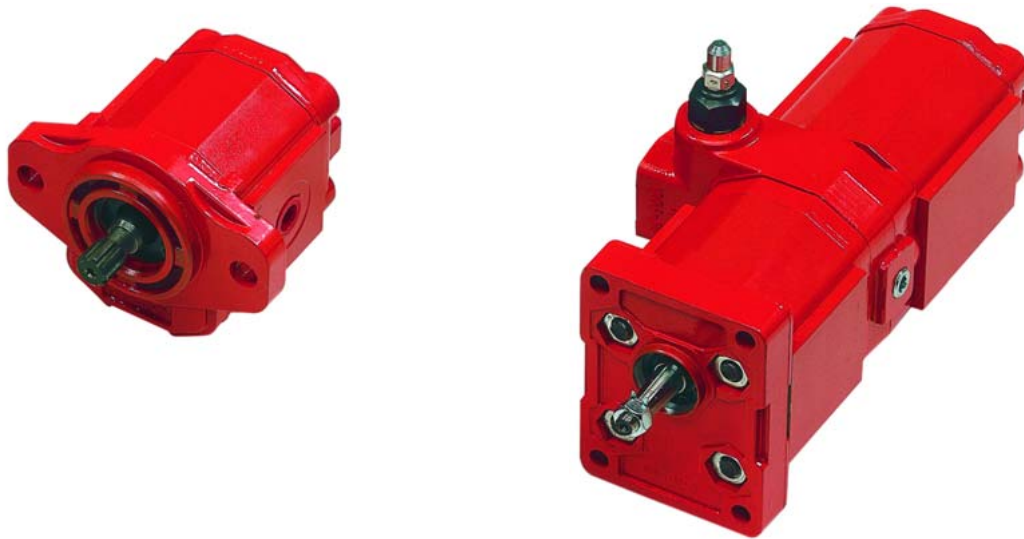
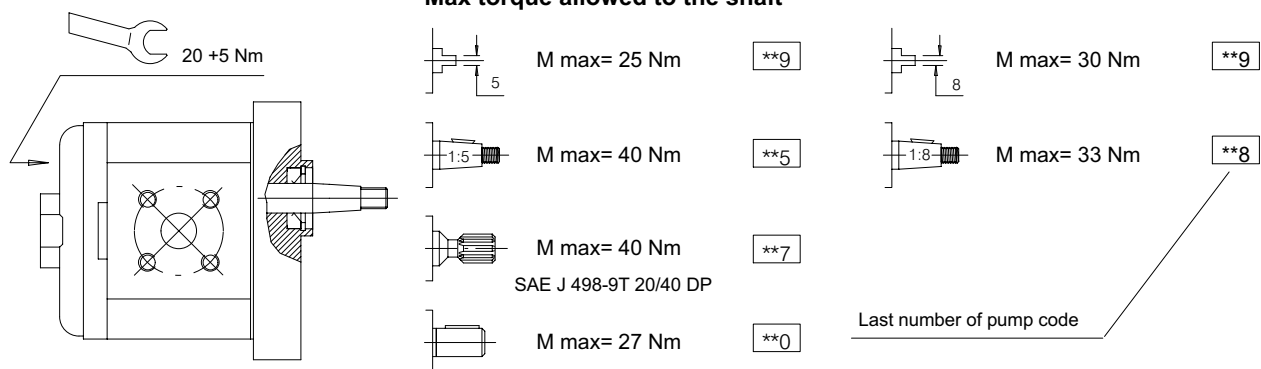


4 Gear pump group AP100



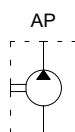
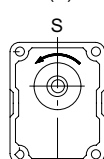
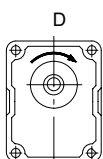
AP100 Type	Displacement		Max. pressure						n min.		n max.	
	cm ³ /rev	Cu.In.P.R.	P1		P2		P3		P ≤ P1	P > P1	P ≤ P1	P > P1
			bar	P.S.I.	bar	P.S.I.	bar	P.S.I.				
AP100/1.2	1.2	.073	210	3000	250	3600	280	4000	800	1000	4500	5000
AP100/1.7	1.7	.103	210	3000	250	3600	280	4000	650	800	4500	5000
AP100/2.5	2.5	.152	210	3000	250	3600	280	4000	650	800	4500	5000
AP100/3.5	3.5	.213	210	3000	230	3300	250	3600	650	800	3500	4000
AP100/4.3	4.3	.262	210	3000	230	3300	250	3600	550	700	3500	4000
AP100/5	5.0	.305	210	3000	230	3300	250	3600	500	650	3000	3500
AP100/6.5	6.5	.396	190	2700	220	3150	240	3400	500	650	2500	3000
AP100/8	7.8	.476	180	2600	210	3000	230	3300	500	650	2500	3000
AP100/10	10.0	.610	150	2150	180	2600	200	2900	500	650	2000	2500

Max torque allowed to the shaft



Clockwise rotation (D)

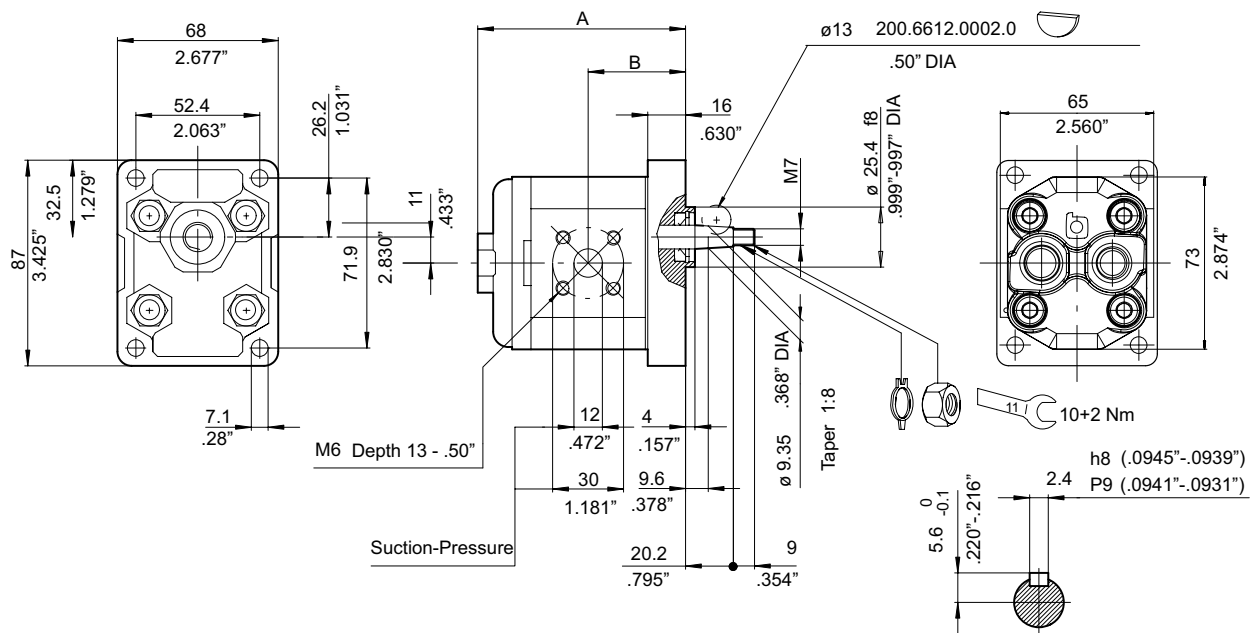
Counter-clockwise rotation (S)



Notes:

- For uses at the operating limits, see note on page 8/96.
- For codes and dimensions regarding accessories, see section 7.
- For the types of pumps without ordering code, contact our Sales Dept.

Group **AP100** Code **218**



Type	Displacement cm ³ /rev	Dimensions			
		A		B	
		mm	inch.	mm	inch.
AP100/1.2	1.2	82.5	3.25	38.5	1.51
AP100/1.7	1.7	84.5	3.33	39.5	1.55
AP100/2.5	2.5	88	3.46	41	1.61
AP100/3.5	3.5	92	3.62	43.5	1.71
AP100/4.3	4.3	96	3.78	45	1.77
AP100/5	5	98.5	3.88	46.5	1.83
AP100/6.5	6.5	103.5	4.07	49	1.93
AP100/8	7.8	109	4.29	52	2.05

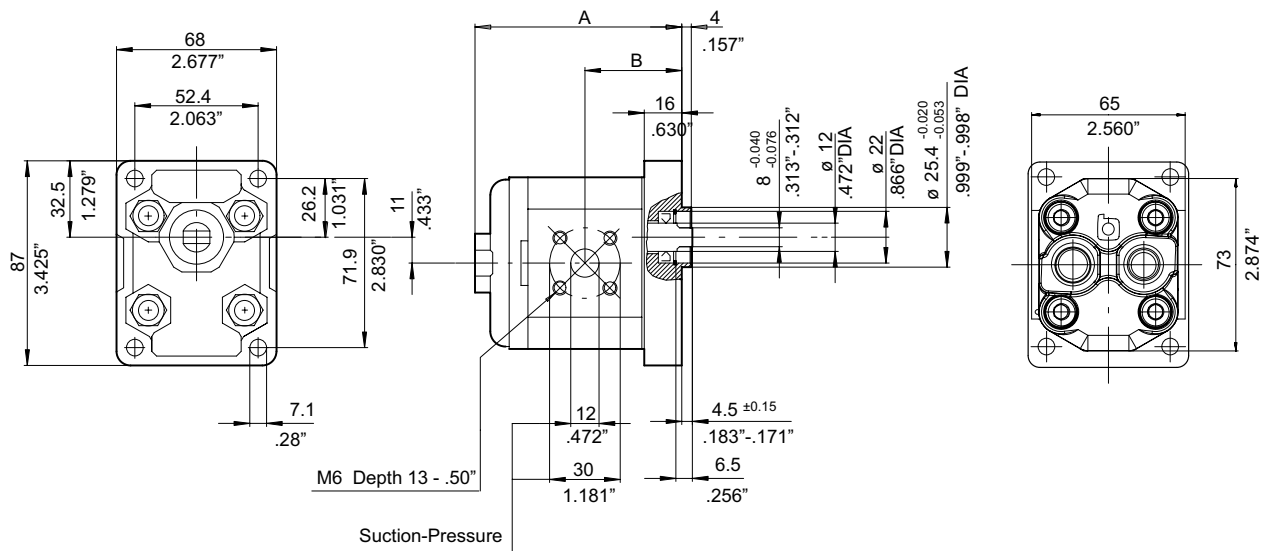
Clockwise rotation: D		Counter-clockwise rotation: S	
Type	Order Code	Type	Order Code
AP100/1.2 D	200.1011.132.04	AP100/1.2 S	200.1011.133.04
AP100/1.7 D	200.1012.132.03	AP100/1.7 S	200.1012.133.04
AP100/2.5 D	200.1013.132.03	AP100/2.5 S	200.1013.133.03
AP100/3.5 D	200.1014.132.04	AP100/3.5 S	200.1014.133.03
AP100/4.3 D	200.1015.132.03	AP100/4.3 S	200.1015.133.02
AP100/5 D	200.1016.132.03	AP100/5 S	200.1016.133.06
AP100/6.5 D	200.1017.132.03	AP100/6.5 S	200.1017.133.03
AP100/8 D	200.1018.132.02	AP100/8 S	200.1018.133.02

Accessories

Flange connectors: RF197 - RF198 - RF199

Splined couplings: GSH-1-12 - GSH-1-14

Group **AP100** Code **219**



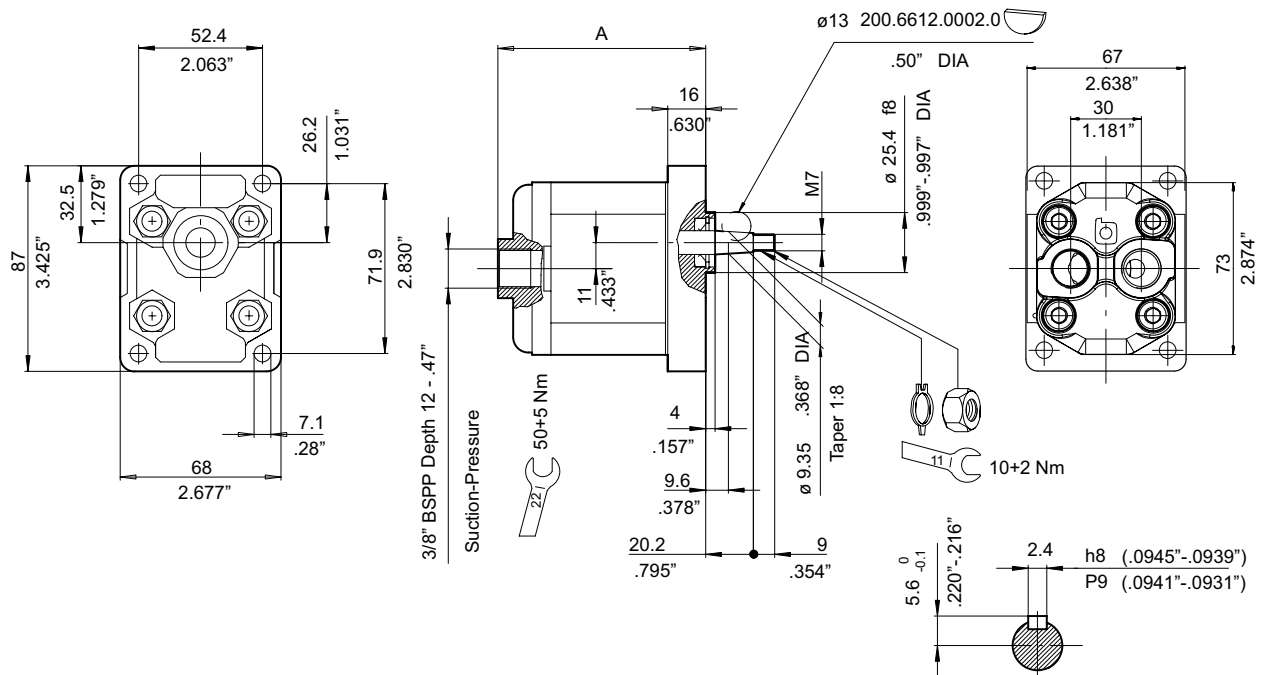
Type	Displacement cm ³ /rev	Dimensions			
		mm	A inch.	B mm	inch.
AP100/1.2	1.2	82.5	3.25	38.5	1.51
AP100/1.7	1.7	84.5	3.33	39.5	1.55
AP100/2.5	2.5	88	3.46	41	1.61
AP100/3.5	3.5	92	3.62	43.5	1.71
AP100/4.3	4.3	96	3.78	45	1.77
AP100/5	5	98.5	3.88	46.5	1.83
AP100/6.5	6.5	103.5	4.07	49	1.93
AP100/8	7.8	109	4.29	52	2.05
AP100/10	10	118	4.64	56.5	2.22

Clockwise rotation: D		Counter-clockwise rotation: S	
Type	Order Code	Type	Order Code
AP100/1.2 D		AP100/1.2 S	200.1011.143.06
AP100/1.7 D		AP100/1.7 S	200.1012.143.07
AP100/2.5 D		AP100/2.5 S	200.1013.143.06
AP100/3.5 D		AP100/3.5 S	200.1014.143.06
AP100/4.3 D		AP100/4.3 S	200.1015.143.06
AP100/5 D		AP100/5 S	200.1016.143.04
AP100/6.5 D		AP100/6.5 S	200.1017.143.04
AP100/8 D		AP100/8 S	200.1018.143.02
AP100/10 D		AP100/10 S	

Accessories

Flange connectors: RF197 - RF198 - RF199

Group **AP100** Code **318**



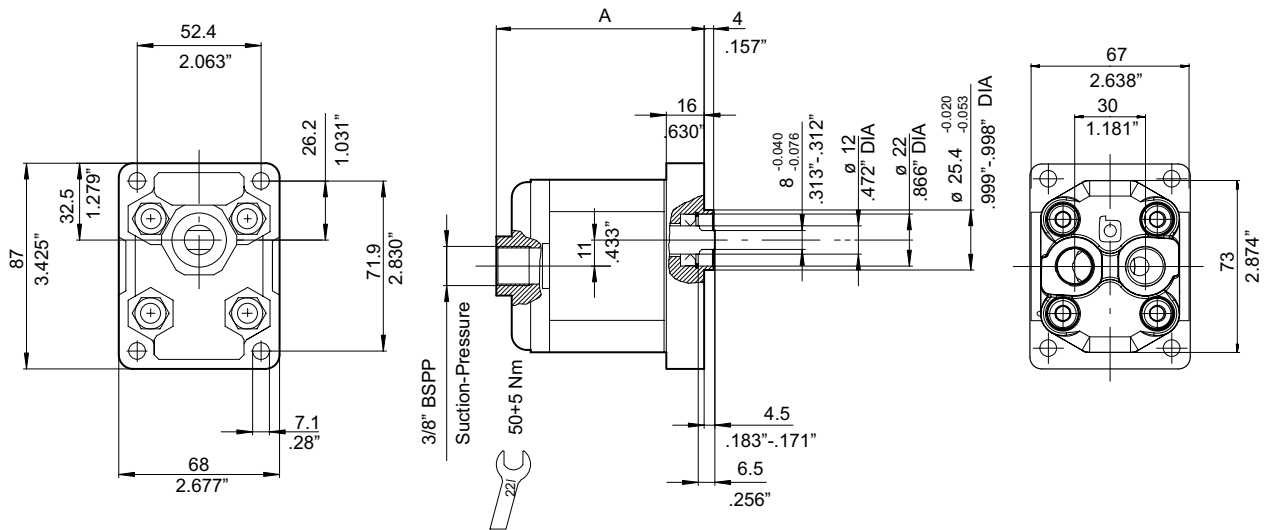
Type	Displacement cm ³ /rev	Dimensions A	
		mm	inch.
AP100/1.2	1.2	82.5	3.25
AP100/1.7	1.7	84.5	3.33
AP100/2.5	2.5	88	3.46
AP100/3.5	3.5	92	3.62
AP100/4.3	4.3	96	3.78
AP100/5	5	98.5	3.88
AP100/6.5	6.5	103.5	4.07
AP100/8	7.8	109	4.29

Clockwise rotation: D		Counter-clockwise rotation: S	
Type	Order Code	Type	Order Code
AP100/1.2 D	200.1011.132.05	AP100/1.2 S	200.1011.133.05
AP100/1.7 D	200.1012.132.04	AP100/1.7 S	200.1012.133.05
AP100/2.5 D	200.1013.132.04	AP100/2.5 S	200.1013.133.04
AP100/3.5 D	200.1014.132.05	AP100/3.5 S	200.1014.133.04
AP100/4.3 D	200.1015.132.04	AP100/4.3 S	200.1015.133.05
AP100/5 D	200.1016.132.04	AP100/5 S	200.1016.133.07
AP100/6.5 D	200.1017.132.04	AP100/6.5 S	200.1017.133.04
AP100/8 D	200.1018.132.03	AP100/8 S	200.1018.133.03

Accessories

Splined couplings: GSH-1-12 - GSH-1-14

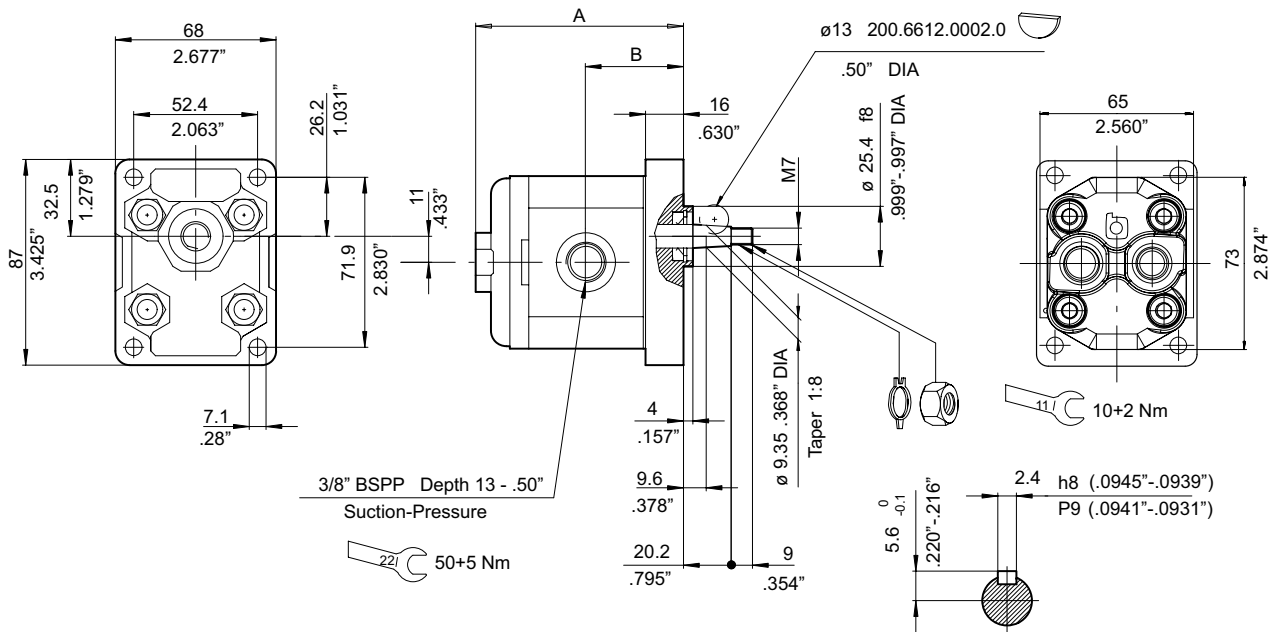
Group **AP100** Code **319**



Type	Displacement cm ³ /rev	Dimensions A	
		mm	inch.
AP100/1.2	1.2	82.5	3.25
AP100/1.7	1.7	84.5	3.33
AP100/2.5	2.5	88	3.46
AP100/3.5	3.5	92	3.62
AP100/4.3	4.3	96	3.78
AP100/5	5	98.5	3.88
AP100/6.5	6.5	103.5	4.07
AP100/8	7.8	109	4.29
AP100/10	10	118	4.64

Clockwise rotation: D		Counter-clockwise rotation: S	
Type	Order Code	Type	Order Code
AP100/1.2 D		AP100/1.2 S	200.1011.143.07
AP100/1.7 D		AP100/1.7 S	200.1012.143.08
AP100/2.5 D		AP100/2.5 S	200.1013.143.07
AP100/3.5 D	200.1014.142.01	AP100/3.5 S	200.1014.143.07
AP100/4.3 D		AP100/4.3 S	200.1015.143.08
AP100/5 D	200.1016.142.01	AP100/5 S	200.1016.143.05
AP100/6.5 D	200.1017.142.02	AP100/6.5 S	200.1017.143.05
AP100/8 D		AP100/8 S	200.1018.143.03
AP100/10 D		AP100/10 S	

Group **AP100** Code **818**



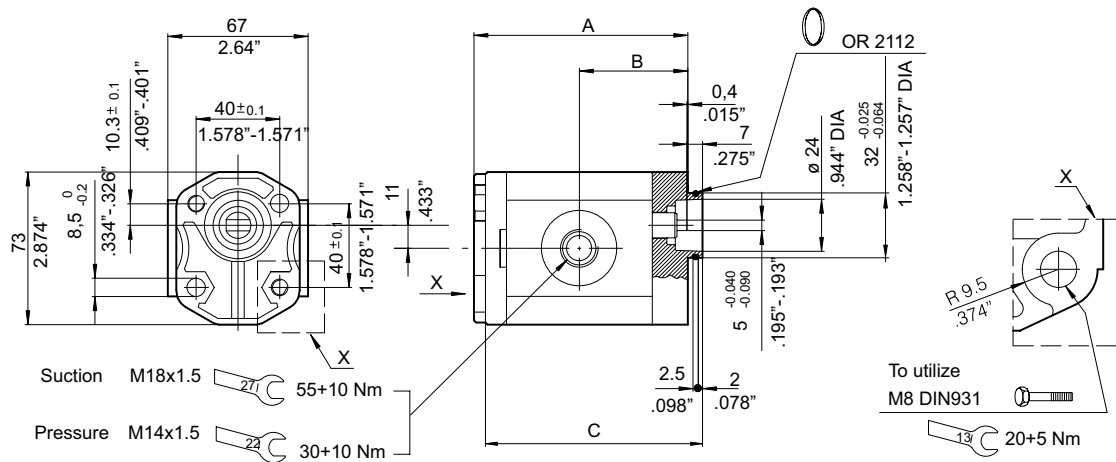
Type	Displacement cm ³ /rev	Dimensions			
		A		B	
		mm	inch.	mm	inch.
AP100/1.2	1.2	82.5	3.25	38.5	1.51
AP100/1.7	1.7	84.5	3.33	39.5	1.55
AP100/2.5	2.5	88	3.46	41	1.61
AP100/3.5	3.5	92	3.62	43.5	1.71
AP100/4.3	4.3	96	3.78	45	1.77
AP100/5	5	98.5	3.88	46.5	1.83
AP100/6.5	6.5	103.5	4.07	49	1.93
AP100/8	7.8	109	4.29	52	2.05

Clockwise rotation: D		Counter-clockwise rotation: S	
Type	Order Code	Type	Order Code
AP100/1.2 D	200.1011.132.07	AP100/1.2 S	200.1011.133.06
AP100/1.7 D	200.1012.132.05	AP100/1.7 S	200.1012.133.07
AP100/2.5 D	200.1013.132.07	AP100/2.5 S	200.1013.133.05
AP100/3.5 D	200.1014.132.06	AP100/3.5 S	200.1014.133.06
AP100/4.3 D	200.1015.132.06	AP100/4.3 S	200.1015.133.04
AP100/5 D	200.1016.132.05	AP100/5 S	200.1016.133.09
AP100/6.5 D	200.1017.132.05	AP100/6.5 S	200.1017.133.05
AP100/8 D	200.1018.132.04	AP100/8 S	200.1018.133.04

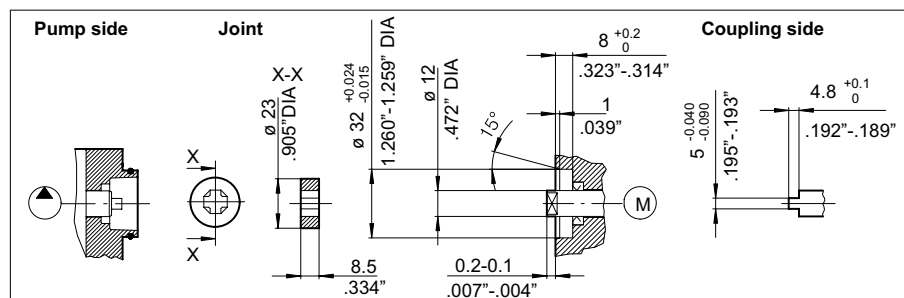
Accessories

Splined couplings: GSH-1-12 - GSH-1-14

Group **AP100** Code **849**



Max pressure (M max= 25 Nm)			
Pump	P bar (PSI)		
	P1	P2	P3
AP100/6.5	160 (2300)	180 (2600)	200 (2900)
AP100/8	130 (1900)	150 (2100)	170 (2400)

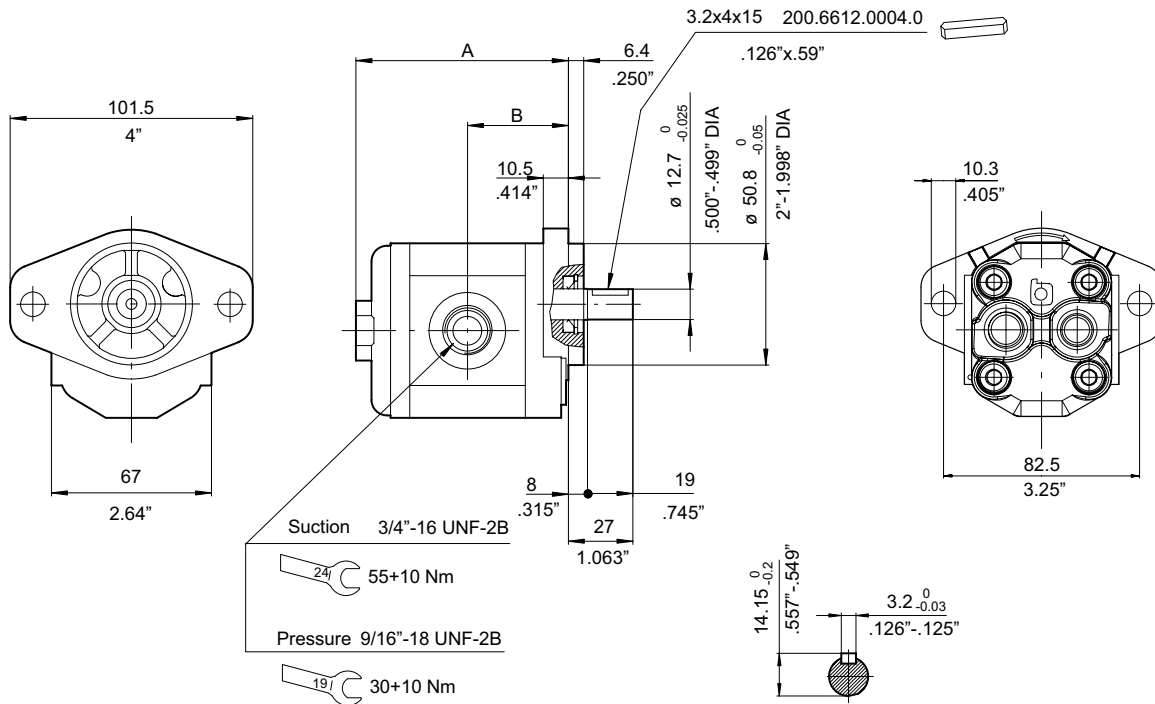


Type	Displacement cm ³ /rev	Dimensions					
		A		B		C	
		mm	inch.	mm	inch.	mm	inch.
AP100/1.2	1.2	82.5	3.25	38.5	1.51	70	2.75
AP100/1.7	1.7	84.5	3.33	39.5	1.55	72	2.83
AP100/2.5	2.5	88	3.46	41	1.61	75.5	2.97
AP100/3.5	3.5	92	3.62	43.5	1.71	80	3.15
AP100/4.3	4.3	96	3.78	45	1.77	83.5	3.29
AP100/5	5	98.5	3.88	46.5	1.83	86	3.38
AP100/6.5	6.5	103.5	4.07	49	1.93	91	3.58
AP100/8	7.8	109	4.29	52	2.05	97	3.81

Clockwise rotation: D		Counter-clockwise rotation: S	
Type	Order Code	Type	Order Code
AP100/1.2 D	200.1011.442.01	AP100/1.2 S	200.1011.443.03
AP100/1.7 D	200.1012.442.02	AP100/1.7 S	200.1012.443.03
AP100/2.5 D	200.1013.442.03	AP100/2.5 S	200.1013.443.03
AP100/3.5 D	200.1014.442.01	AP100/3.5 S	200.1014.443.03
AP100/4.3 D	200.1015.442.01	AP100/4.3 S	200.1015.443.03
AP100/5 D	200.1016.442.01	AP100/5 S	200.1016.443.01
AP100/6.5 D	200.1017.442.01	AP100/6.5 S	200.1017.443.02
AP100/8 D	200.1018.442.01	AP100/8 S	200.1018.443.04

Note: With respect to the standards, the maximum pressures of some versions of this pump are reduced in relation to the max. torque allowed to the shaft.

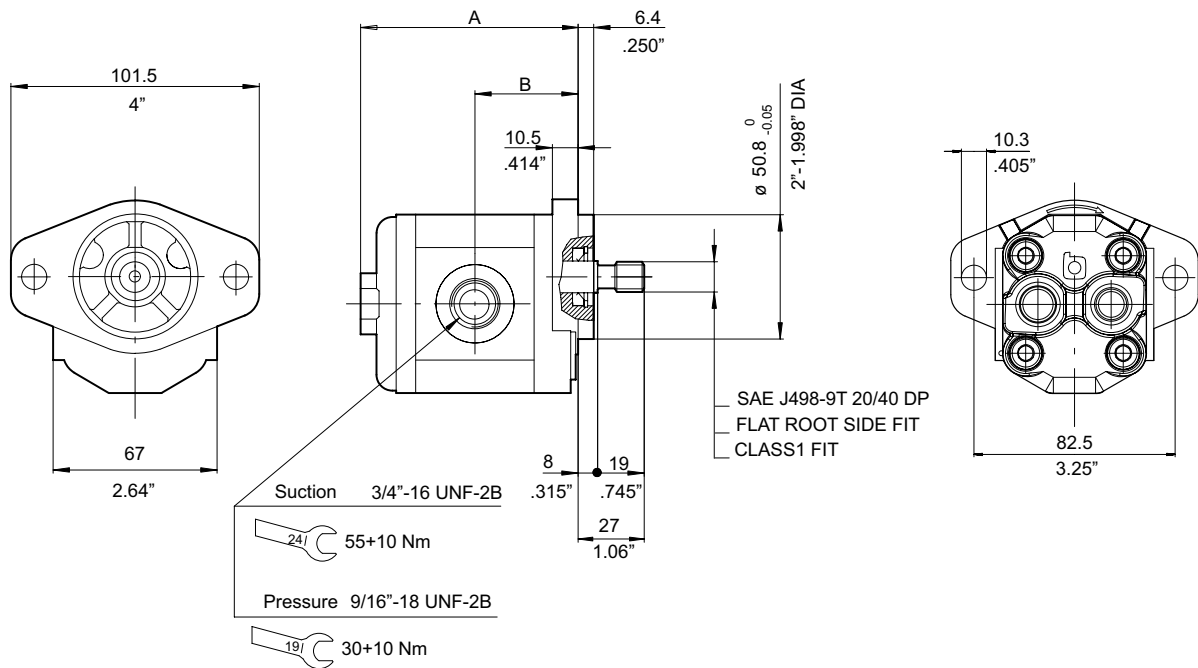
Group **AP100** Code **880**



Type	Displacement cm ³ /rev	Dimensions			
		A		B	
		mm	inch.	mm	inch.
AP100/1.2	1.2	83.5	3.29	39.5	1.56
AP100/1.7	1.7	85.5	3.37	40.5	1.60
AP100/2.5	2.5	89	3.50	42	1.65
AP100/3.5	3.5	93	3.66	44.5	1.75
AP100/4.3	4.3	97	3.82	46	1.81
AP100/5	5	99.5	3.92	47.5	1.87
AP100/6.5	6.5	104.5	4.11	50	1.97
AP100/8	8	110	4.33	53	2.09

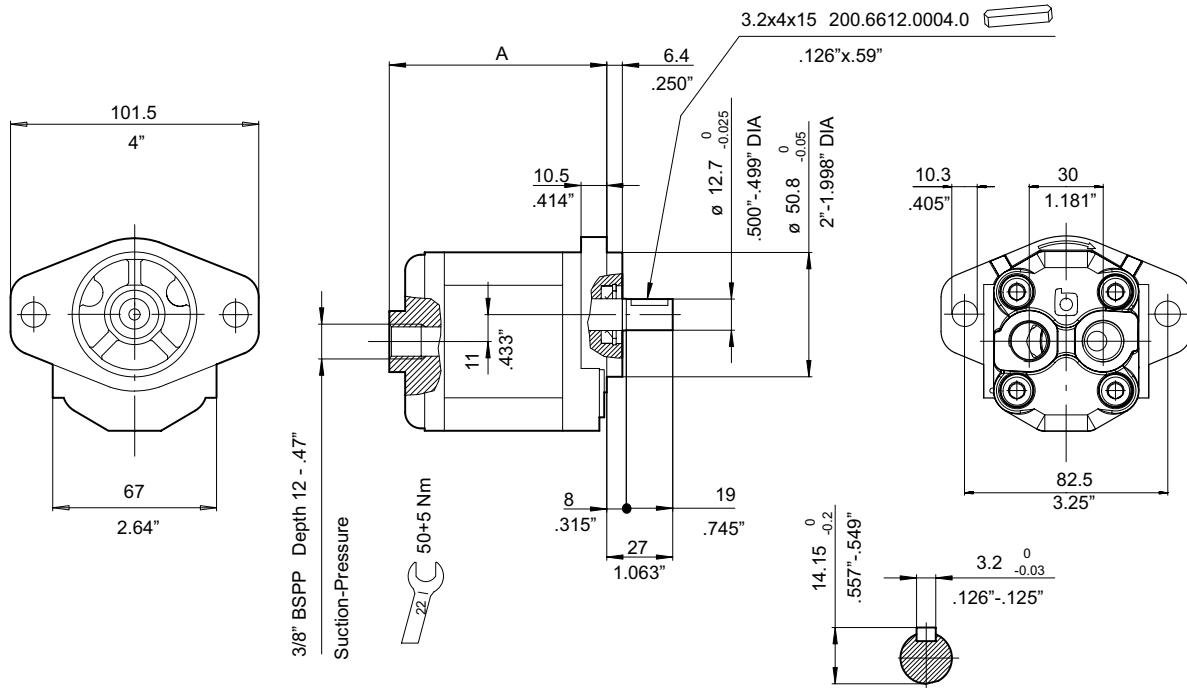
Clockwise rotation: D		Counter-clockwise rotation: S	
Type	Order Code	Type	Order Code
AP100/1.2 D	200.1011.802.01	AP100/1.2 S	200.1011.803.01
AP100/1.7 D	200.1012.802.01	AP100/1.7 S	200.1012.803.01
AP100/2.5 D	200.1013.802.01	AP100/2.5 S	200.1013.803.01
AP100/3.5 D	200.1014.802.05	AP100/3.5 S	200.1014.803.01
AP100/4.3 D	200.1015.802.01	AP100/4.3 S	200.1015.803.03
AP100/5 D	200.1016.802.01	AP100/5 S	200.1016.803.01
AP100/6.5 D	200.1017.802.01	AP100/6.5 S	200.1017.803.01
AP100/8 D	200.1018.802.01	AP100/8 S	200.1018.803.01

Group **AP100** Code **887S**



Type	Displacement cm ³ /rev	Dimensions			
		A		B	
		mm	inch.	mm	inch.
AP100/1.2	1.2	83.5	3.29	39.5	1.56
AP100/1.7	1.7	85.5	3.37	40.5	1.60
AP100/2.5	2.5	89	3.50	42	1.65
AP100/3.5	3.5	93	3.66	44.5	1.75
AP100/4.3	4.3	97	3.82	46	1.81
AP100/5	5	99.5	3.92	47.5	1.87
AP100/6.5	6.5	104.5	4.11	50	1.97
AP100/8	7.8	110	4.33	53	2.09

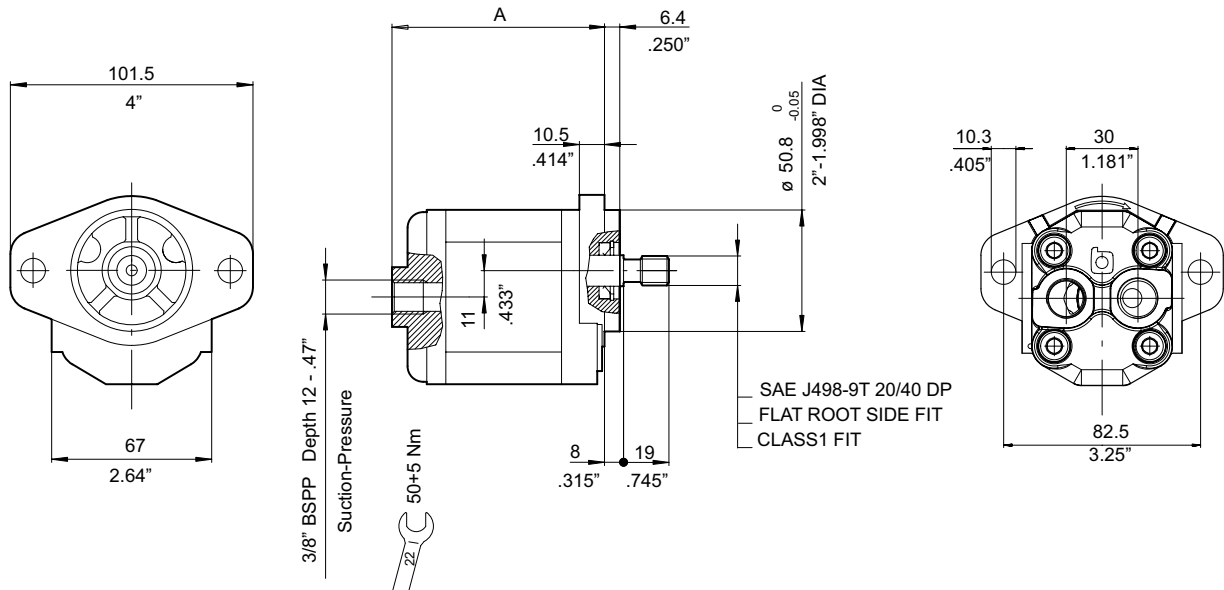
Clockwise rotation: D		Counter-clockwise rotation: S	
Type	Order Code	Type	Order Code
AP100/1.2 D	200.1011.862.01	AP100/1.2 S	200.1011.863.01
AP100/1.7 D	200.1012.862.01	AP100/1.7 S	200.1012.863.01
AP100/2.5 D	200.1013.862.01	AP100/2.5 S	200.1013.863.01
AP100/3.5 D	200.1014.862.01	AP100/3.5 S	200.1014.863.01
AP100/4.3 D	200.1015.862.01	AP100/4.3 S	200.1015.863.01
AP100/5 D	200.1016.862.01	AP100/5 S	200.1016.863.01
AP100/6.5 D	200.1017.862.01	AP100/6.5 S	200.1017.863.02
AP100/8 D	200.1018.862.01	AP100/8 S	200.1018.863.01



Type	Displacement cm ³ /rev	Dimensions A	
		mm	inch
AP100/1.2	1.2	83.5	3.29
AP100/1.7	1.7	85.5	3.37
AP100/2.5	2.5	89	3.50
AP100/3.5	3.5	93	3.66
AP100/4.3	4.3	97	3.82
AP100/5	5	99.5	3.92
AP100/6.5	6.5	104.5	4.11
AP100/8	7.8	110	4.33

Clockwise rotation: D		Counter-clockwise rotation: S	
Type	Order Code	Type	Order Code
AP100/1.2 D		AP100/1.2 S	
AP100/1.7 D	200.1012.802.06	AP100/1.7 S	
AP100/2.5 D		AP100/2.5 S	
AP100/3.5 D	200.1014.802.07	AP100/3.5 S	
AP100/4.3 D		AP100/4.3 S	
AP100/5 D	200.1016.802.05	AP100/5 S	
AP100/6.5 D	200.1017.802.05	AP100/6.5 S	
AP100/8 D	200.1018.802.05	AP100/8 S	

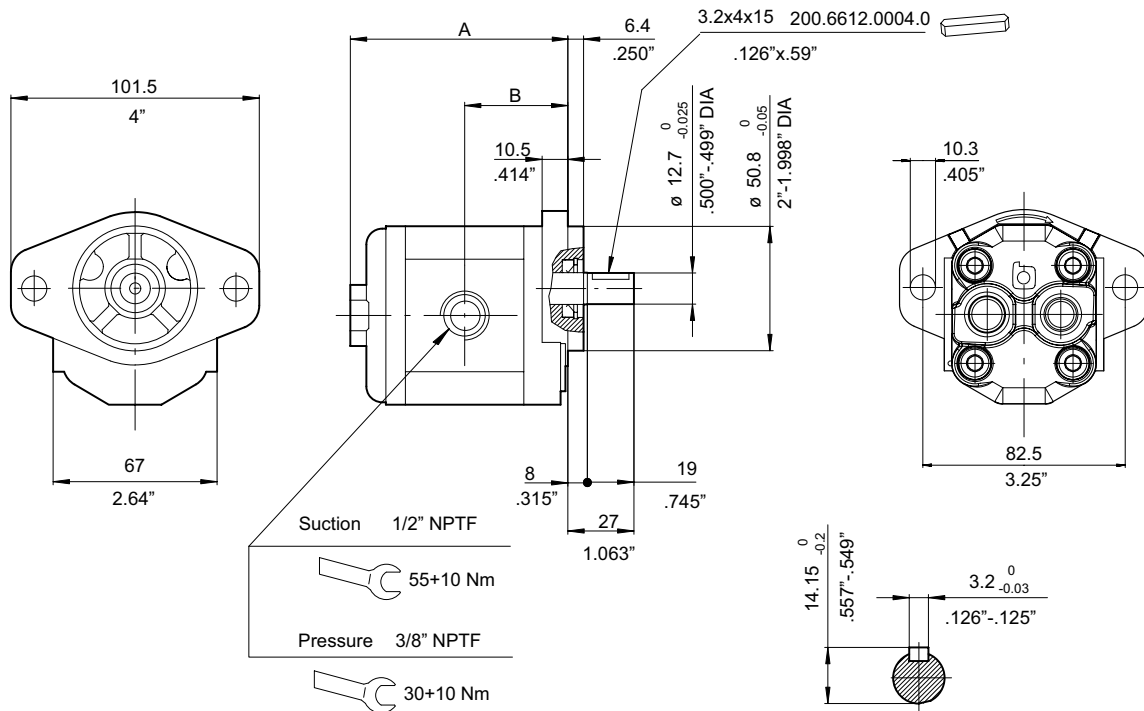
Group AP100 Code 387S



Type	Displacement cm ³ /rev	Dimensions A	
		mm	inch
AP100/1.2	1.2	83.5	3.29
AP100/1.7	1.7	85.5	3.37
AP100/2.5	2.5	89	3.50
AP100/3.5	3.5	93	3.66
AP100/4.3	4.3	97	3.82
AP100/5	5	99.5	3.92
AP100/6.5	6.5	104.5	4.11
AP100/8	8	110	4.33

Clockwise rotation: D		Counter-clockwise rotation: S	
Type	Order Code	Type	Order Code
AP100/1.2 D		AP100/1.2 S	
AP100/1.7 D		AP100/1.7 S	
AP100/2.5 D		AP100/2.5 S	
AP100/3.5 D		AP100/3.5 S	
AP100/4.3 D		AP100/4.3 S	
AP100/5 D		AP100/5 S	
AP100/6.5 D		AP100/6.5 S	
AP100/8 D		AP100/8 S	

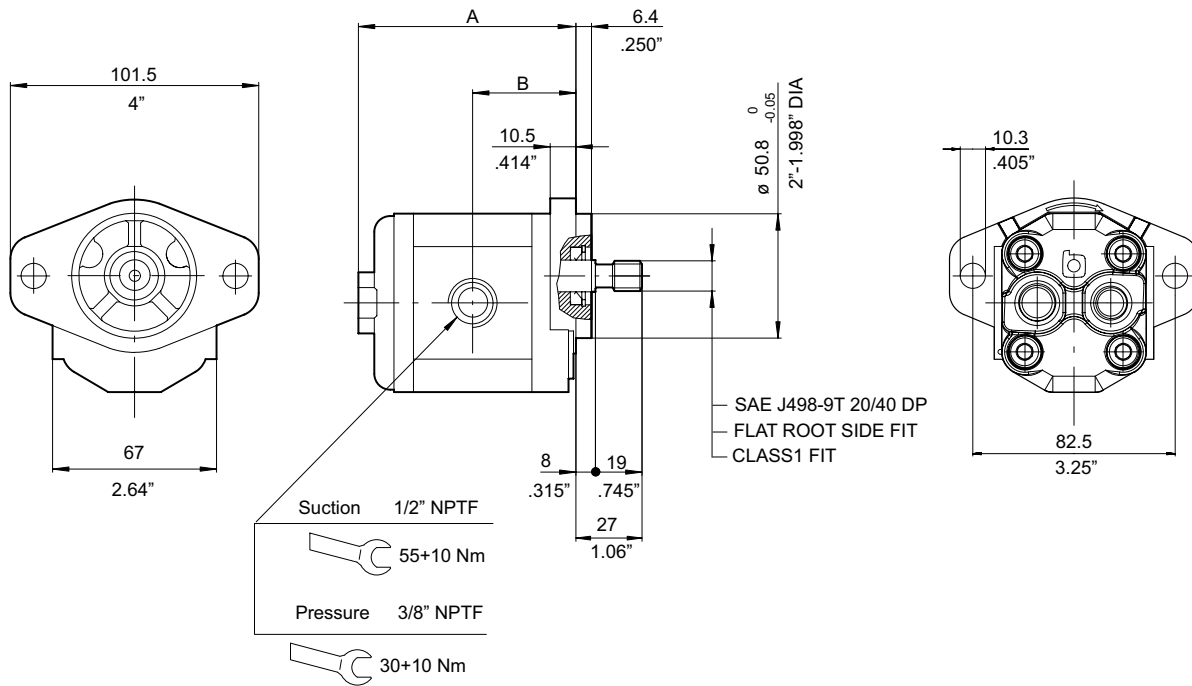
Group **AP100** Code **880 NPTF**



Type	Displacement cm ³ /rev	Dimensions			
		A		B	
		mm	inch.	mm	inch.
AP100/1.2	1.2	83.5	3.29	39.5	1.56
AP100/1.7	1.7	85.5	3.37	40.5	1.60
AP100/2.5	2.5	89	3.50	42	1.65
AP100/3.5	3.5	93	3.66	44.5	1.75
AP100/4.3	4.3	97	3.82	46	1.81
AP100/5	5	99.5	3.92	47.5	1.87
AP100/6.5	6.5	104.5	4.11	50	1.97
AP100/8	8	110	4.33	53	2.09

Clockwise rotation: D		Counter-clockwise rotation: S	
Type	Order Code	Type	Order Code
AP100/1.2 D	200.1011.802.02	AP100/1.2 S	200.1011.803.02
AP100/1.7 D	200.1012.802.02	AP100/1.7 S	200.1012.803.02
AP100/2.5 D	200.1013.802.02	AP100/2.5 S	200.1013.803.02
AP100/3.5 D	200.1014.802.02	AP100/3.5 S	200.1014.803.02
AP100/4.3 D	200.1015.802.02	AP100/4.3 S	200.1015.803.01
AP100/5 D	200.1016.802.02	AP100/5 S	200.1016.803.02
AP100/6.5 D	200.1017.802.02	AP100/6.5 S	200.1017.803.02
AP100/8 D	200.1018.802.02	AP100/8 S	200.1018.803.02

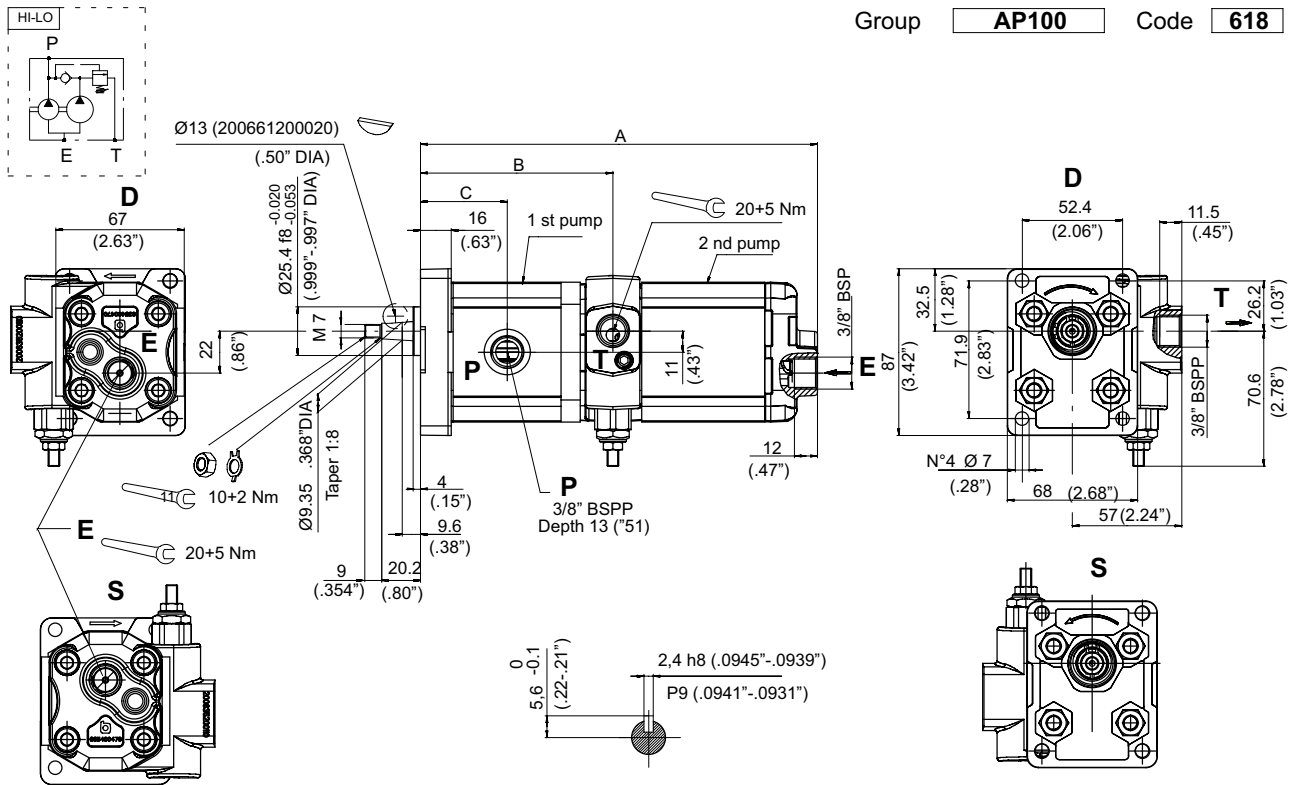
Group **AP100** Code **887S NPTF**



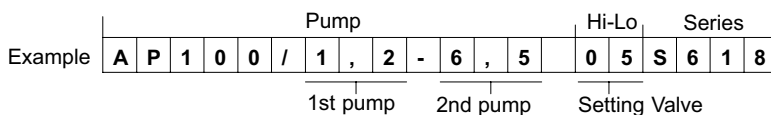
Type	Displacement cm ³ /rev	Dimensions			
		A		B	
		mm	inch.	mm	inch.
AP100/1.2	1.2	83.5	3.29	39.5	1.56
AP100/1.7	1.7	85.5	3.37	40.5	1.60
AP100/2.5	2.5	89	3.50	42	1.65
AP100/3.5	3.5	93	3.66	44.5	1.75
AP100/4.3	4.3	97	3.82	46	1.81
AP100/5	5	99.5	3.92	47.5	1.87
AP100/6.5	6.5	104.5	4.11	50	1.97
AP100/8	7.8	110	4.33	53	2.09

Clockwise rotation: D		Counter-clockwise rotation: S	
Type	Order Code	Type	Order Code
AP100/1.2 D		AP100/1.2 S	
AP100/1.7 D		AP100/1.7 S	
AP100/2.5 D		AP100/2.5 S	
AP100/3.5 D		AP100/3.5 S	
AP100/4.3 D		AP100/4.3 S	
AP100/5 D		AP100/5 S	
AP100/6.5 D		AP100/6.5 S	
AP100/8 D		AP100/8 S	

Group **AP100** Code **618**



Pump AP100		Dimension				Existing code				
1 st Pump	2 nd Pump	A		B	C	Order Code	Description	Pressure Setting (bar)		
		mm	inches	mm (inch)	mm (inch)					
AP100/1,2	AP100/2,5	177,5	7,00	38,5 (1,51")	87 (3,42")	200111113213	AP100/1,2-2,5.06 D 618	60		
						200111113303	AP100/1,2-2,5.06 S 618			
AP100/1,2	AP100/3,5	182	7,17					200111113212	AP100/1,2-3,5.06 D 618	60
AP100/1,2	AP100/4,3	185,5	7,30							
AP100/1,2	AP100/5	188	7,40					200111113215	AP100/1,2-5,0.05 D 618	50
AP100/1,2	AP100/6,5	193	7,60					200111113211	AP100/1,2-6,5.05 D 618	50
AP100/1,7	AP100/5	190	7,48	39,50 (1,55")	89 (3,50")	200111213206	AP100/1,7-5,0.03 D 618	30		
AP100/1,7	AP100/6,5	179,5	7,07			200111213302	AP100/1,7-6,5 .06 S 618	60		
AP100/2,5	AP100/3,5	187	7,36	41,2 (1,62")	92,50 (3,64")					
AP100/2,5	AP100/4,3	191	7,52			200111413302	AP100/3,5-4,3.05 S 618	50		
AP100/2,5	AP100/5	193,5	7,62							
AP100/2,5	AP100/6,5	198,5	7,81			200111313206	AP100/2,5-6,5.05 D 618	50		
						200111313207	AP100/2,5-6,5.03 D 618	30		
AP100/3,5	AP100/4,3	195	7,68	43,35 (1,70")	97 (3,81")	200111413302	AP100/3,5-4,3.05 S 618	50		
AP100/3,5	AP100/6,5	203	8,00			200111413206	AP100/3,5-6,5.06 D 618	60		
AP100/3,5	AP100/8	208,5	8,21			200111413205	AP100/3,5-8,0.03 D 618	30		
AP100/4,3	AP100/4,3	199	7,83	45,15 (1,77")	100,5 (3,95")	200111513208	AP100/4,3-4,3.03 D 618	30		
						200111513304	AP100/4,3-4,3.05 S 618	50		
AP100/4,3	AP100/6,5	206,5	8,13			200111513207	AP100/4,3-6,5 03 D 618	30		
						200111513209	AP100/4,3-6,5.06 D 618	60		



Standard setting values for HI-LO valve:
03= 30 bar (pressure range 15 ÷ 55 bar)
06= 60 bar (pressure range 55 ÷ 90 bar)

Note (*): For availability of pumps without ordering code please contact our Sales Department.