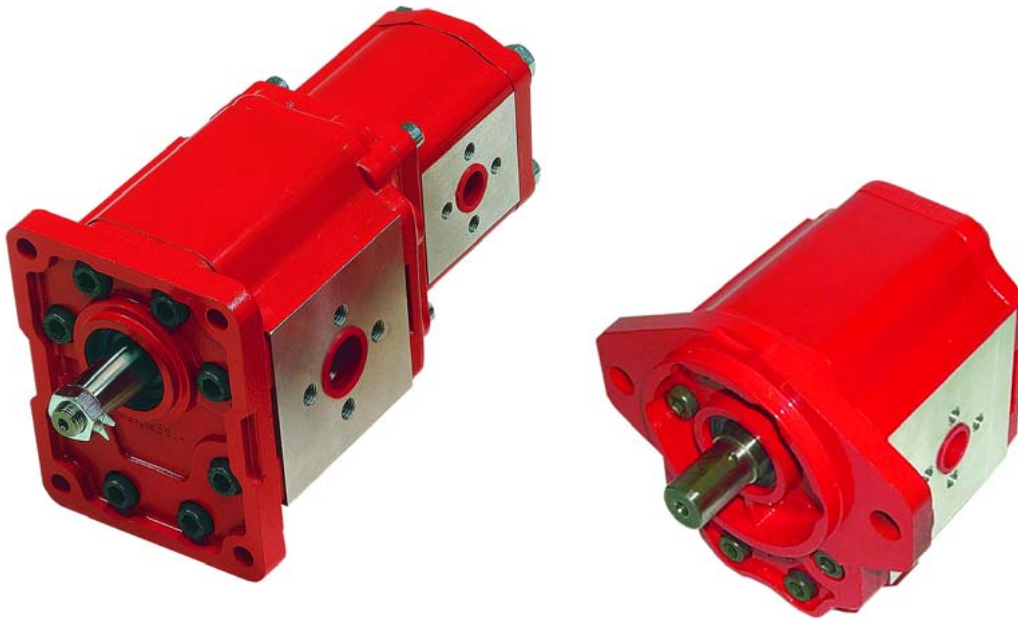
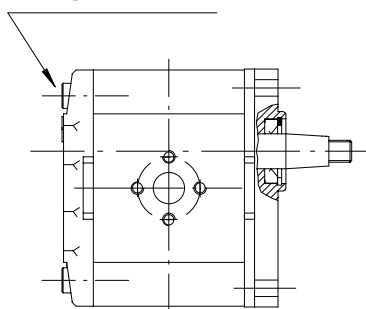


6 Gear pump group AP300



AP300 Type	Displacement		Max. pressure						n min.		n max.	
	cm ³ /rev	Cu. In. P. R.	P1		P2		P3		P ≤ P1	P > P1	P ≤ P1	P > P1
			bar	P.S.I.	bar	P.S.I.	bar	P.S.I.				
AP300/27	27.0	1.674	220	3150	250	3600	280	4000	600	800	3000	3500
AP300/31	31.0	1.891	220	3150	250	3600	280	4000	600	800	3000	3500
AP300/38	38.0	2.318	220	3150	250	3600	280	4000	600	800	2500	3000
AP300/45	45.0	2.745	200	2900	230	3300	260	3700	600	800	2500	3000
AP300/53	53.0	3.233	200	2900	230	3300	260	3700	600	800	2500	3000
AP300/63	63.0	3.843	180	2600	210	3000	240	3400	550	700	2500	3000
AP300/75	75.0	4.575	170	2400	190	2700	220	3150	550	700	2000	2500
AP300/93	93.0	5.673	150	2100	170	2400	200	2900	500	650	2000	2500

65 ±10 Nm



Max torque allowed to the shaft

 M max= 230 Nm ****8**

 M max= 270
SAE J 498-13T 16/32 DP ****7**

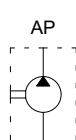
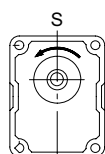
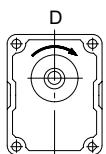
 M max= 185 Nm ****0**

 Rear and Front cover
cast iron made

Last number of pump code

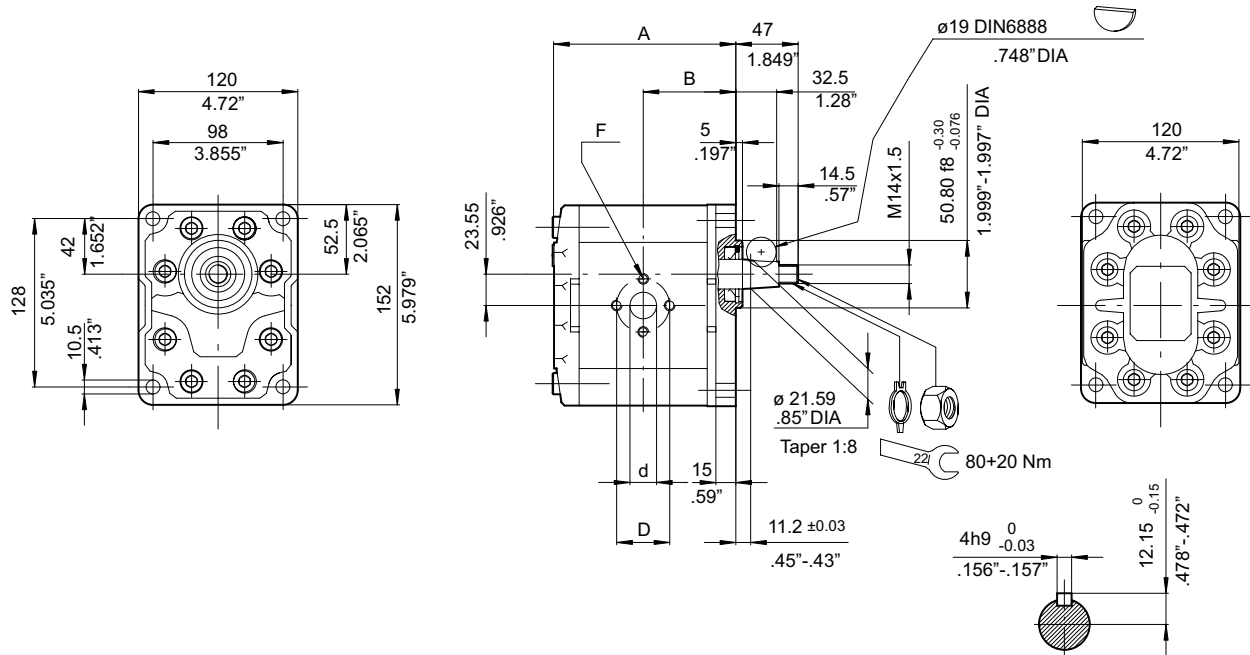
Clockwise
rotation (D)

Counter-lockwise
rotation (S)



Notes:

- For uses at the operating limits, see note on page 8/96.
- For codes and dimensions regarding accessories, see section 7.
- For the types of pumps without ordering code, contact our Sales Dept.



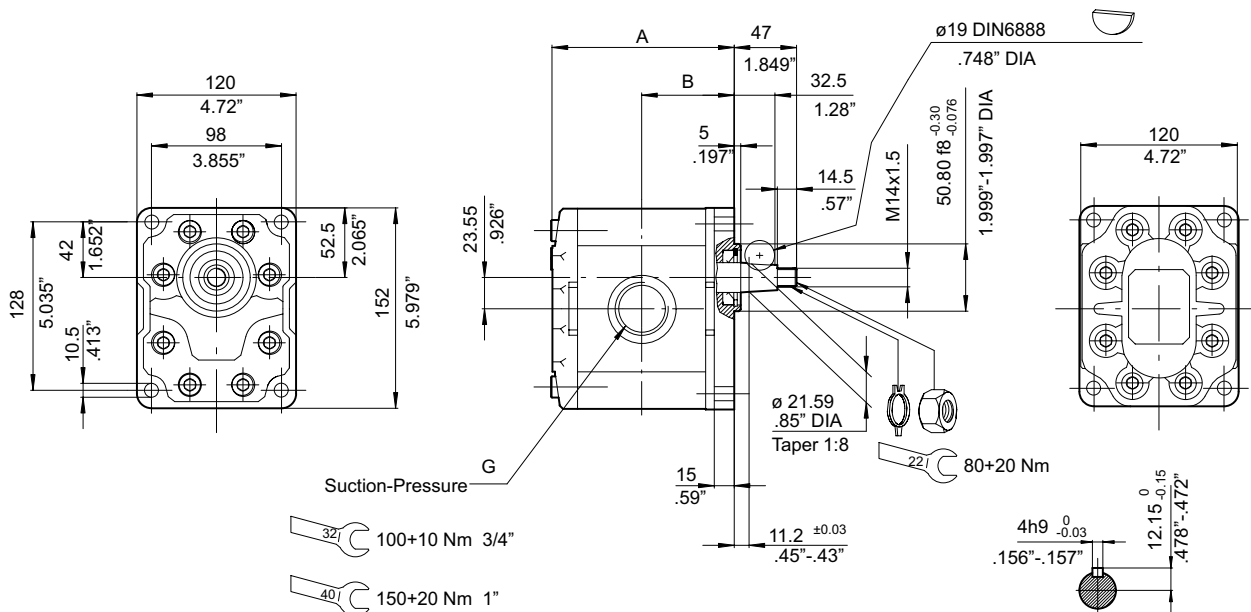
Type	Displacement cm ³ /rev	Dimensions				Suction					Pressure				
		A mm	A inch	B mm	B inch	d mm	d inch	D mm	D inch	F mm	d mm	d inch	D mm	D inch	F mm
AP300/27	27	126.0	4.96	64.0	2.51	27	1.06	51	2.00	M10X1.5	20	.78	40	1.56	M8X1.25
AP300/31	31	129.0	5.07	65.0	2.55										
AP300/38	38	133.5	5.25	67.5	2.65										
AP300/45	45	138.5	5.43	70.0	2.75										
AP300/53	53	143.0	5.62	72.5	2.85										
AP300/63	63	150.0	5.90	75.5	2.97	31	1.22	62	2.43	M12X1.75	25	.98	51	2.00	M10X1.5
AP300/75	75	157.5	6.20	79.5	3.13										
AP300/93	93	169.0	6.65	85.5	3.36										

Clockwise rotation: D		Counter-clockwise rotation: S	
Type	Order Code	Type	Order Code
AP300/27 D	200.1031.132.01	AP300/27 S	200.1031.133.01
AP300/31 D	200.1032.132.01	AP300/31 S	200.1032.133.01
AP300/38 D	200.1033.132.01	AP300/38 S	200.1033.133.01
AP300/45 D	200.1034.132.01	AP300/45 S	200.1034.133.01
AP300/53 D	200.1035.132.01	AP300/53 S	200.1035.133.02
AP300/63 D	200.1036.132.02	AP300/63 S	200.1036.133.01
AP300/75 D	200.1037.132.01	AP300/75 S	200.1037.133.01
AP300/93 D	200.1038.132.01	AP300/93 S	200.1038.133.03

Accessories

Flange connectors: RF233 - RF261 - RF272 - RF256 - RF225 - RF246 - RF251.

Splined couplings: GSH-3-18 - GSH-3-20.



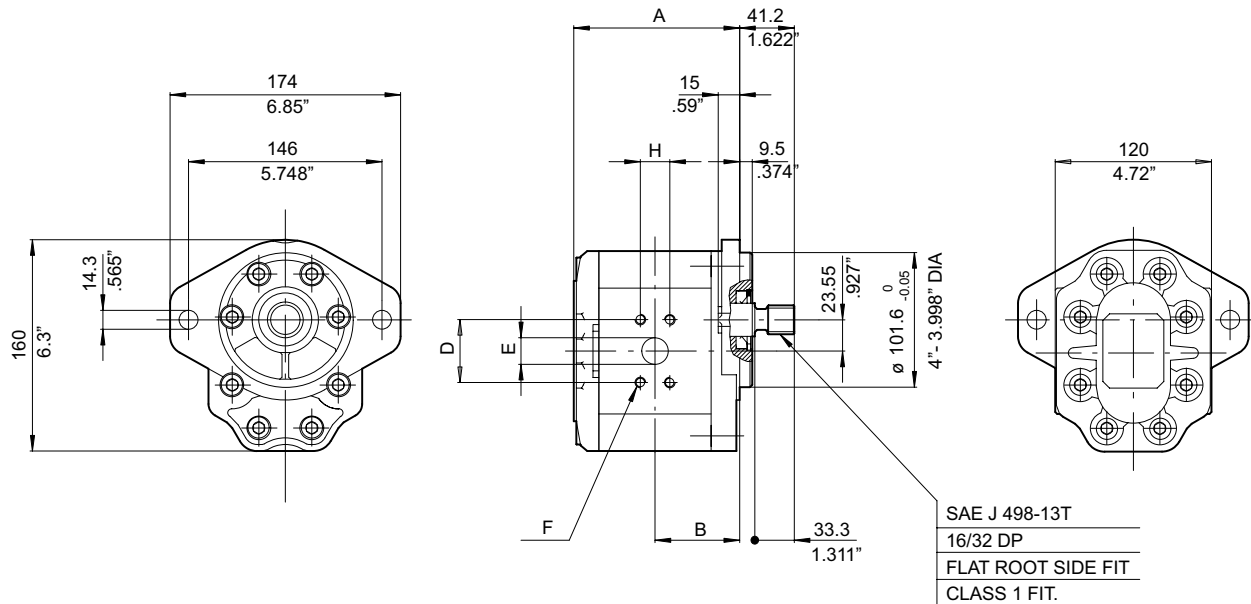
Type	Displacement cm ³ /rev	Dimensions				Suction G BSPP	Pressure G BSPP
		A		B			
		mm	inches	mm	inches		
AP300/27	27	126.0	4.96	64.0	2.51	1"	3/4"
AP300/31	31	129.0	5.07	65.0	2.55		
AP300/38	38	133.5	5.25	67.5	2.65		
AP300/45	45	138.5	5.43	70.0	2.75		
AP300/53	53	143.0	5.62	72.5	2.85		
AP300/63	63	150.0	5.90	75.5	2.97		
AP300/75	75	157.5	6.20	79.5	3.13		
AP300/93	93	169.0	6.65	85.5	3.36		

Clockwise rotation: D		Counter-clockwise rotation: S	
Type	Order Code	Type	Order Code
AP300/27 D	200.1031.132.03	AP300/27 S	200.1031.133.07
AP300/31 D	200.1032.132.05	AP300/31 S	200.1032.133.03
AP300/38 D	200.1033.132.02	AP300/38 S	200.1033.133.03
AP300/45 D	200.1034.132.03	AP300/45 S	200.1034.133.03
AP300/53 D	200.1035.132.04	AP300/53 S	200.1035.133.03
AP300/63 D	200.1036.132.01	AP300/63 S	200.1036.133.03
AP300/75 D	200.1037.132.02	AP300/75 S	200.1037.133.03
AP300/93 D	200.1038.132.02	AP300/93 S	200.1038.133.04

Accessories

Splined couplings: GSH-3-18 - GSH-3-20

Group **AP300** Code **287S**

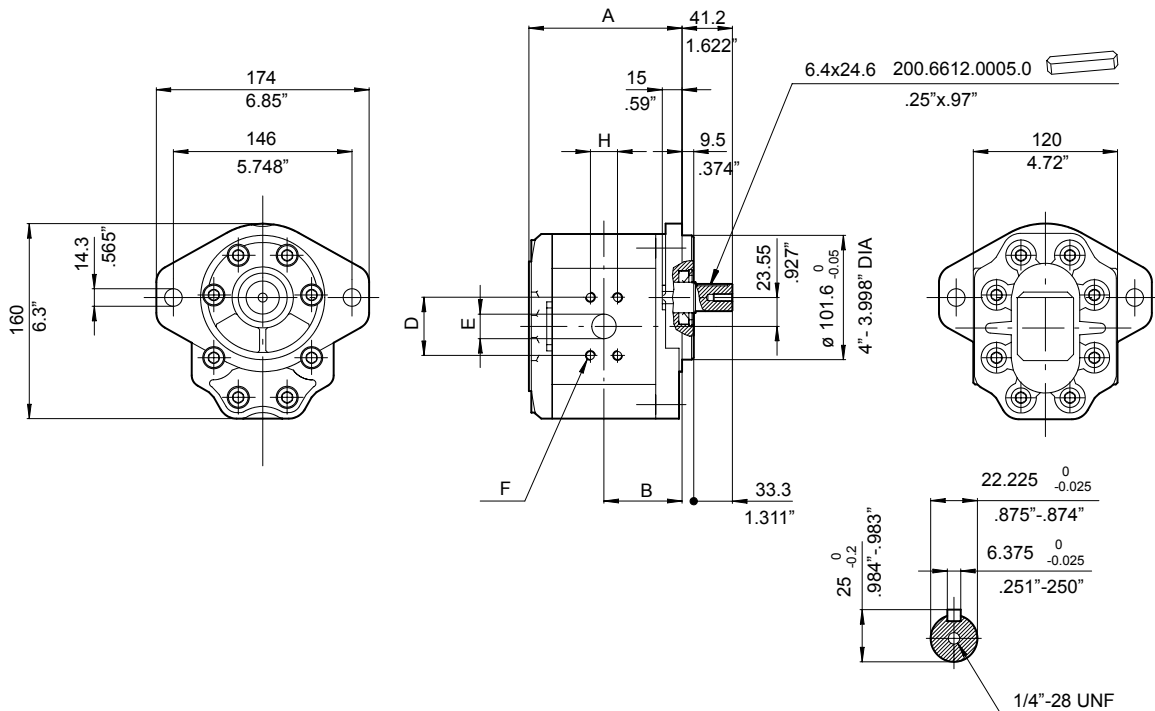


Type	Displ. cm ³ /rev	Dimensions				Suction						Pressure							
		A		B		H		D		E		F	H		D		E		F
		mm	inch	mm	inch	mm	inch	mm	inch	mm	inch	UNC 2B	mm	inch	mm	inch	mm	inch	UNC 2B
AP300/27	27	126.0	4.96	64.0	2.51	26.2	1.03	52.4	2.06	25	.99	3/8" - 16	22.2	.88	47.6	1.88	19	.75	3/8" - 16
AP300/31	31	129.0	5.07	65.0	2.55	30.2	1.19	58.7	2.31	31	1.22	7/16" - 14	26.2	1.03	52.4	2.06	25	.99	3/8" - 16
AP300/38	38	133.5	5.25	67.5	2.65														
AP300/45	45	138.5	5.43	70.0	2.75														
AP300/53	53	143.0	5.62	72.5	2.85	35.7	1.40	70	2.76	38	1.5	1/2" - 13	30.2	1.19	58.7	2.31	31	1.22	7/16" - 14
AP300/63	63	150.0	5.90	75.5	2.97														
AP300/75	75	158.0	6.22	79.5	3.13														
AP300/93	93	169.0	6.65	85.5	3.36														

Clockwise rotation: D		Counter-clockwise rotation: S	
Type	Order Code	Type	Order Code
AP300/27 D	200.1031.862.01	AP300/27 S	200.1031.863.01
AP300/31 D	200.1032.862.01	AP300/31 S	200.1032.863.01
AP300/38 D	200.1033.862.01	AP300/38 S	200.1033.863.01
AP300/45 D	200.1034.862.01	AP300/45 S	200.1034.863.01
AP300/53 D	200.1035.862.01	AP300/53 S	200.1035.863.01
AP300/63 D	200.1036.862.01	AP300/63 S	200.1036.863.01
AP300/75 D	200.1037.862.01	AP300/75 S	200.1037.863.01
AP300/93 D	200.1038.862.01	AP300/93 S	200.1038.863.01

Accessories

Flange connectors: RF249 - RF248 - RF275 - RF250



Type	Displ. cm ³ /rev	Dimensions				Suction						Pressure							
		A		B		H		D		E		F UNC 2B	H		D		E		F UNC 2B
		mm	inch	mm	inch	mm	inch	mm	inch	mm	inch		mm	inch	mm	inch	mm	inch	
AP300/27	27	126.0	4.96	64.0	2.51	26.2	1.03	52.4	2.06	25	.99	3/8" - 16	22.2	.88	47.6	1.88	19	.75	3/8" - 16
AP300/31	31	129.0	5.07	65.0	2.55	30.2	1.19	58.7	2.31	31	1.22	7/16" - 14	26.2	1.03	52.4	2.06	25	.99	3/8" - 16
AP300/38	38	133.5	5.25	67.5	2.65														
AP300/45	45	138.5	5.43	70.0	2.75														
AP300/53	53	143.0	5.62	72.5	2.85	35.7	1.40	70	2.76	38	1.5	1/2" - 13	30.2	1.19	58.7	2.31	31	1.22	7/16" - 14
AP300/63	63	150.0	5.90	75.5	2.97														
AP300/75	75	158.0	6.22	79.5	3.13														
AP300/93	93	169.0	6.65	85.5	3.36														

Clockwise rotation: D		Counter-clockwise rotation: S	
Type	Order Code	Type	Order Code
AP300/27 D	200.1031.802.01	AP300/27 S	200.1031.803.01
AP300/31 D	200.1032.802.01	AP300/31 S	200.1032.803.01
AP300/38 D	200.1033.802.01	AP300/38 S	200.1033.803.01
AP300/45 D	200.1034.802.01	AP300/45 S	200.1034.803.01
AP300/53 D	200.1035.802.01	AP300/53 S	200.1035.803.01
AP300/63 D	200.1036.802.01	AP300/63 S	200.1036.803.01
AP300/75 D	200.1037.802.01	AP300/75 S	200.1037.803.01
AP300/93 D	200.1038.802.01	AP300/93 S	200.1038.803.01

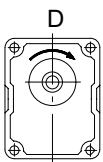
Accessories

Flange connectors: RF249 - RF248 - RF275 - RF250

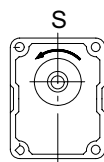
	AP300/27			AP300/31			AP300/38			AP300/45		
	A	B	C	A	B	C	A	B	C	A	B	C
	mm	mm	mm	mm	mm	mm	mm	mm	mm	mm	mm	mm
	<i>inch</i>	<i>inch</i>	<i>inch</i>	<i>inch</i>	<i>inch</i>	<i>inch</i>	<i>inch</i>	<i>inch</i>	<i>inch</i>	<i>inch</i>	<i>inch</i>	<i>inch</i>
AP200/4.5 AP200/6.5 AP200/8.5	215.5	64	103.5	218	65	105	222.5	67.5	107.5	227	69.8	109.5
	8.5	2.52	4.08	8.6	2.56	4.14	8.76	2.66	4.23	8.94	2.75	4.31
AP200/11 AP200/15	230.5	64	111.5	233	65	113	237.5	67.5	115.5	242	69.8	117.5
	9.08	2.52	4.39	9.2	2.56	4.45	9.35	2.66	4.55	9.53	2.75	4.63
AP200/19	240.5	64	117.5	243	65	119	247.5	67.5	121.5	252	69.8	123.5
	9.47	2.52	4.62	9.57	2.56	4.69	9.75	2.66	4.78	9.92	2.75	4.86
AP200/22 AP200/26	245.5	64	120	248	65	121	252.5	67.5	123.5	257	69.8	126
	9.67	2.52	4.72	9.76	2.56	4.76	9.95	2.66	4.86	10.12	2.75	4.96

	AP300/53			AP300/63			AP300/75			AP300/93		
	A	B	C	A	B	C	A	B	C	A	B	C
	mm	mm	mm	mm	mm	mm	mm	mm	mm	mm	mm	mm
	<i>inch</i>	<i>inch</i>	<i>inch</i>	<i>inch</i>	<i>inch</i>	<i>inch</i>	<i>inch</i>	<i>inch</i>	<i>inch</i>	<i>inch</i>	<i>inch</i>	<i>inch</i>
AP200/4.5 AP200/6.5 AP200/8.5	232.5	72.5	112	239	75.5	115.5	246.5	79.5	119.5	258.5	85.5	125
	9.15	2.86	4.4	9.45	2.97	4.55	9.7	3.13	4.71	10.12	3.37	4.92
AP200/11 AP200/15	247.5	72.5	120	254	75.5	123.5	261.5	79.5	127.5	273.5	85.5	133
	9.74	2.86	4.72	10	2.97	4.86	10.3	3.13	5.02	10.77	3.37	5.23
AP200/19	257.5	72.5	126	264	75.5	129.5	271.5	79.5	133.5	283.5	85.5	139
	10.13	2.86	4.96	10.4	2.97	5.1	10.37	3.13	5.26	11.16	3.37	5.47
AP200/22 AP200/26	262.5	72.5	128.5	269	75.5	131.5	276.5	79.5	135.5	288.5	85.5	141.5
	10.3	2.86	5.06	10.6	2.97	5.18	10.89	3.13	5.33	11.36	3.37	5.57

Example of product code

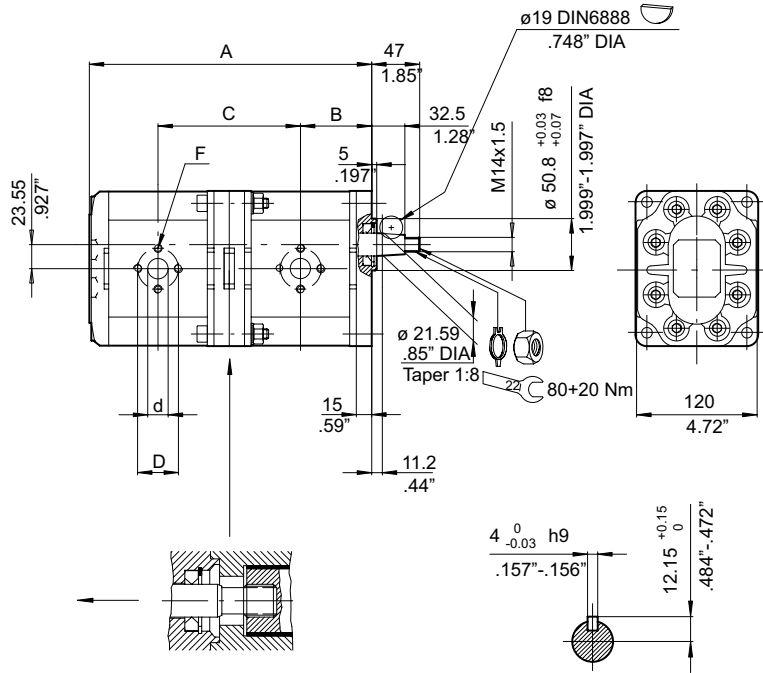
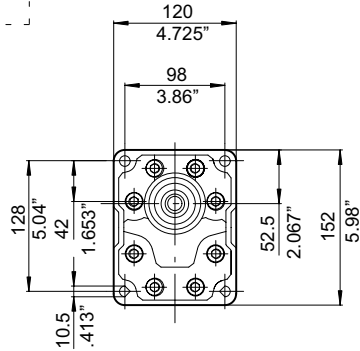
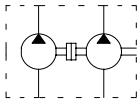


AP300/38 - 200/15 D 2218
(Clockwise rotation: D)



AP300/63 - 200/22 S 2218
(Counterclockwise rotation : S)

Group **AP300+AP300** Code **2218**



Max pressure (M max= 190 Nm)			
Pump	bar (PSI)		
	P1	P2	P3
AP300/38	200 (2900)	230 (3300)	250 (3600)
AP300/45	190 (2700)	220 (3200)	240 (3400)
AP300/53	160 (2300)	190 (2700)	210 (3000)
AP300/63	130 (1900)	160 (2300)	180 (2600)
AP300/75	100 (1450)	130 (1900)	150 (2100)
AP300/95	80 (1150)	110 (1600)	130 (1900)

Displacement cm ³ /rev	Suction					Pressure				
	d		D		F	d		D		F
	mm	inch	mm	inch	mm	mm	inch	mm	inch	mm
27	27	1.06	51	2.01	10	20	.79	40	1.58	8
31										
38										
45										
53	32	1.26	62	2.44	12	27	1.65	51	2.01	10
63										
75										
93										

Note: With respect to the standards, the maximum pressures of some versions of this pump are reduced in relation to the max. torque allowed to the shaft.

Displacement cm ³ /rev	A		B		C	
	mm	inch	mm	inch	mm	inch
27+27	254	10.00	63.8	2.51	127.5	5.02
31+27	257	10.12	65.2	2.57	129	5.08
31+31	259	10.20			130.5	5.14
38+27	261	10.27	67.5	2.66	131.5	5.18
38+31	264	10.40			132.5	5.22
38+38	269	10.60			135	5.32
45+27	266	10.00	69.8	2.75	133.5	5.26
45+31	268	10.55			135	5.31
45+38	273	10.75			137.5	5.41
45+45	278	10.95			139.5	5.50

Displacement cm ³ /rev	A		B		C	
	mm	inch	mm	inch	mm	inch
53+27	271	10.67	72.5	2.85	136	5.36
53+31	274	10.78			137.5	5.42
53+38	278	10.94			140	5.52
53+45	283	11.14			142	5.60
53+53	288	11.34			144.5	5.69
63+27	278	10.95	75.5	2.97	139.5	5.50
63+31	280	11.02			141	5.55
63+38	285	11.22			143	5.63
63+45	289	11.38			145.5	5.73
63+53	295	11.61			148	5.83
63+63	301	11.85			151	5.95
75+27	285	11.22	79.5	3.13	143.5	5.65
75+31	288	11.34			144.5	5.69
75+38	293	11.54			147	5.79
75+45	297	11.70			149.5	5.89
75+53	302	11.89			152	5.99
75+63	309	12.17			155	6.10
75+75	317	12.40			159	6.26
93+27	297	11.70	85.5	3.37	149	5.87
93+31	300	11.80			150.5	5.93
93+38	304	11.97			153	6.02
93+45	309	12.17			155	6.10
93+53	314	12.36			157.5	6.2
93+63	321	12.64			161	6.34
93+75	328	12.91			165	6.5
93+93	340	13.39			170.5	6.72

Note: For the accessories see pump group AP300 code 218 page 83/96