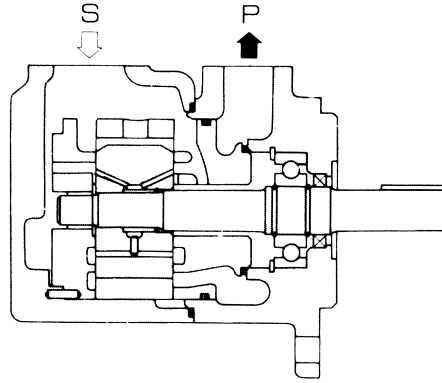
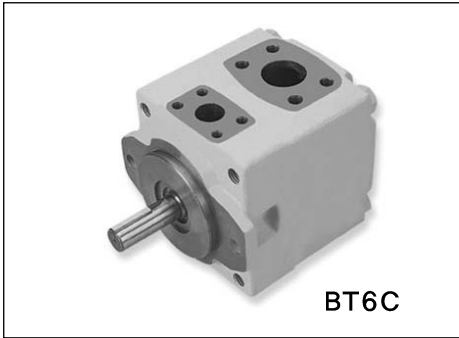


SINGLE VANE PUMP

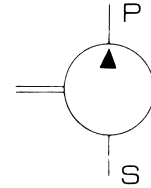
BT6C, D, E

■ 특징

Solit pin식 새로운 cartridge를 사용한 고압, 고성능 pump입니다. 다양한 용량의 내마모성 cam-ring을 표준으로 갖추고 있으며, 고압에서도 저소음 고효율입니다. Cartridge는 drop-in식이기 때문에 보수도 용이합니다.



JIS유압도기호



■ Model 번호

BT6C	-022	-1	R	OO	B	1
Series	catridge	shaft	회전방향	port방향	design	seal
BT6C	003, 005, 006 008, 010, 012, 015 014, 017, 020 022, 025, 028, 031	1. key-SAE-B 2. key-비SAE 3. Spline SAE-B 4. Spline SAE-BB	(축끝에서 볼때) R. 우회전 L. 좌회전	A-8 페이지참조	제조원에서 결정 (design기호가 바뀌어도 취부방법, 성능, 제원에는 변경없음.)	1. NBR 5. 불소고무
BT6D	014, 020, 024, 028 031, 035, 038 042, 045, 050, 061	1. key-SAE-C 2. key-비SAE 3. Spline SAE-B 4. Spline 비SAE				
BT6E	042, 045, 052, 057 062, 066, 072, 085	1. key-SAE-CC 2. key-비SAE 3. Spline SAE-C 4. Spline SAE-CC				

■ Foot Bracket관 Flange Kit 번호

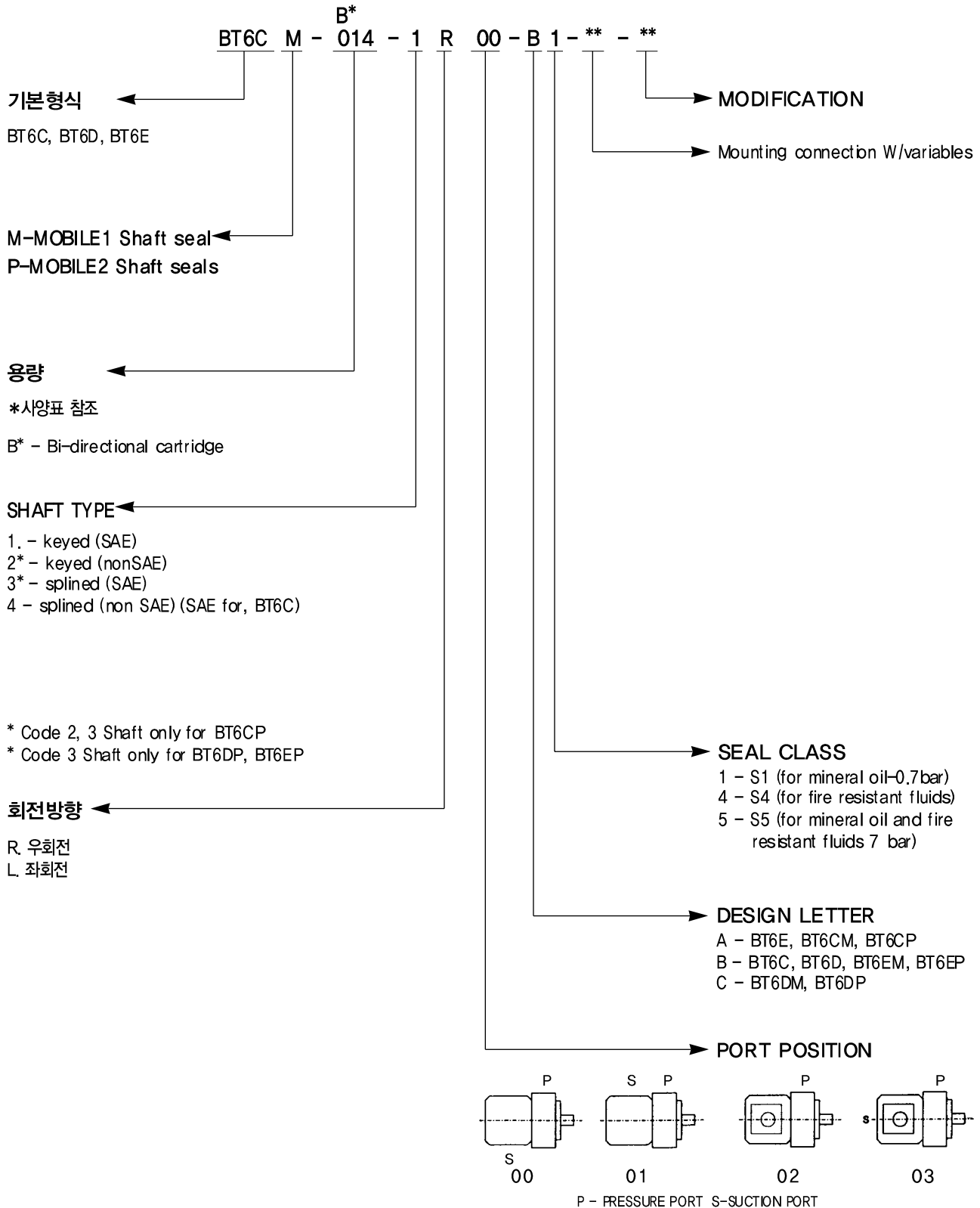
model	취부규격 ²⁾	foot bracket kit 번호	port	구 경 ³⁾	관 flange kit 번호 ¹⁾	
					PT나사형	용접형
BT6C	SAE-B SAE-BB 2 Bolt	SI4-10785	S	1 1/2"	JSI4-66936	SI4-55160
			P	1"	JSI14-66934	SI4-55158
BT6D	SAE-C SAE-CC 2 Bolt	SI4-08057	S	2"	JSI4-66937	SI4-55161
			P	1 1/4"	JSI14-66935	SI4-55159
BT6E	SAE-C SAE-CC 2 Bolt	SI4-28966	S	3"	JSI4-66939	SI4-55163
			P	1 1/2"	JSI14-66936	SI4-55160

주) 1) seal의 재질이 불소고무인경우는 kit번호의 끝에 - S5를 붙여 주십시오. 상세한 것은 A-45페이지를 참조하십시오.

2) SAE J744C, ISO/3019-1

3) SAE J518C, ISO/6162

■ 형식기호설명



■ 사양

석유계 내마모성 작동유를 사용하는 경우의 표준 사양입니다.

model번호	이론토출량 cm ³ /rev	허용회전수 rpm		최고압력 kgf/cm ²		토출량 축입력특성	질량 kg	
		최 고	최 저	연 속	순 간		pump	foot부
BT6C	아래표참조	2800 ⁽¹⁾		245 ⁽³⁾	280 ⁽⁴⁾	아래표참조	15	19.8
BT6D		2500 ⁽²⁾		210 ⁽⁵⁾	245 ⁽⁶⁾		24	29.9
BT6E		2200		210 ⁽⁷⁾	245 ⁽⁸⁾		44	56.8

주) (1) 025-028 cartridge 2500rpm (4) 028 cartridge 210kgf/cm² (7) 072 cartridge 160kgf/cm²
 (2) 042-050 cartridge 2200rpm (5) 050 cartridge 160kgf/cm² (8) 072 cartridge 210kgf/cm²
 (3) 028 cartridge 160kgf/cm² (6) 050 cartridge 210kgf/cm²

Series	Volumetric Displacement [cc/rev]	Speed [rpm]	Flow Q [l/min]			Input Power [kw]		
			0 bar	140 bar	240 bar	7 bar	140 bar	240 bar
BT6C-003	10.8	1200	12.4	8.0	-	1.2	2.8	-
		1800	18.5	13.0	11.0	1.3	4.2	9.1
BT6C-005	17.2	1200	20.6	15.5	13.2	1.3	4.7	10.1
		1800	31.0	24.8	21.1	1.4	7.1	15.2
BT6C-006	21.3	1200	25.6	19.9	16.9	1.4	5.9	12.5
		1800	38.3	33.7	29.7	1.5	8.8	18.8
BT6C-008	26.4	1200	31.7	25.3	22.3	1.5	7.3	15.5
		1800	47.5	43.2	40.2	1.7	10.9	23.3
BT6C-010	34.1	1200	40.9	35.6	33.1	1.6	9.4	20.1
		1800	61.4	57.1	53.1	1.9	14.1	30.1
BT6C-012	37.1	1200	44.5	39.2	36.4	1.6	10.2	21.8
		1800	66.8	62.1	58.4	2.0	15.3	32.7
BT6C-014	46.0	1200	55.2	49.1	46.2	1.8	12.6	27.1
		1800	82.8	77.8	73.2	2.2	19.0	40.6
BT6C-015	50.5	1200	60.6	54.5	51.3	1.9	13.9	29.7
		1800	90.9	85.4	81.2	2.3	20.8	44.6
BT6C-017	58.3	1200	70.0	63.7	60.5	2.0	16.0	34.3
		1800	104.9	99.7	94.7	2.5	24.0	51.4
BT6C-020	63.8	1200	76.6	69.7	66.2	2.1	17.5	37.5
		1800	114.8	109.1	104.7	2.6	26.3	56.3
BT6C-022	70.3	1200	84.4	77.6	74.5	2.2	19.3	41.4
		1800	126.5	121.5	116.6	2.8	29.0	62.0
BT6C-025*	79.3	1200	95.2	88.5	85.0	2.4	21.8	46.6
		1800	142.7	137.0	132.9	3.0	32.7	70.0
BT6C-028*	88.8	1200	106.6	99.1	-	2.5	24.4	-
		1800	159.8	153.4	-	3.3	36.6	-
BT6C-031*	100.0	1200	120.0	112.8	-	2.7	27.5	-
		1800	180.0	171.0	-	3.6	41.2	-

* 025, 028, 031 - 2500 rpm max

* 028, 031 - 210kg/cm²(3000psi) max int.

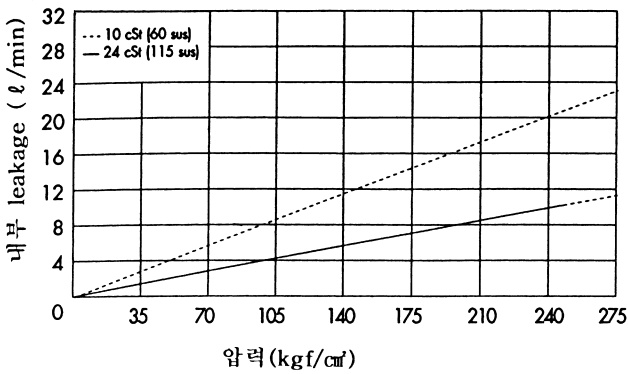
* 내부 누유가 이론 토출량의 50% 이상이 되기 때문에 사용하지 마십시오.

Series	Volumetric Displacement [cc/rev]	Speed [rpm]	Flow Q [l/min]			Input Power [kw]		
			0 bar	140 bar	240 bar	7 bar	140 bar	240 bar
BT6D-014	47.6	1200	57.1	46.8	41.2	1.8	13.1	28.0
		1800	85.7	75.4	66.4	2.2	19.6	42.0
BT6D-020	66.0	1200	79.2	66.5	58.5	2.1	18.1	38.8
		1800	118.8	106.9	94.1	2.7	27.2	58.2
BT6D-024	79.5	1200	95.4	81.1	71.4	2.4	21.9	46.8
		1800	143.1	128.8	115.9	3.0	32.8	70.1
BT6D-028	89.7	1200	107.6	95.8	86.2	2.5	24.7	52.8
		1800	161.5	450.2	139.6	3.3	37.0	79.1
BT6D-031	98.3	1200	118.0	106.2	98.7	2.7	27.0	57.8
		1800	176.9	164.6	153.0	3.5	40.5	86.7
BT6D-035	111.0	1200	133.2	121.2	112.7	2.9	30.5	65.3
		1800	199.8	185.8	174.7	3.9	45.8	97.9
BT6D-038	120.3	1200	144.4	132.8	124.8	3.1	33.1	70.8
		1800	216.5	203.5	191.3	4.1	49.6	106.1
BT6D-042*	136.0	1200	163.2	150.1	141.1	3.3	37.4	80.0
		1800	244.8	230.1	218.6	4.5	56.1	120.0
BT6D-045*	145.7	1200	174.8	162.6	154.5	3.5	40.0	85.7
		1800	262.3	249.1	236.7	4.7	90.1	128.6
BT6D-050*	158.0	1200	189.6	176.3	-	3.7	43.4	-
		1800	284.4	270.2	-	5.1	65.1	-
BT6D-061*	190.5	1200	228.6					
		1800	342.9					
* 042, 045, 050 - 2200 rpm max, * 050 - 210kg/cm ² (3000psi) max int.								
* 061 - 1800 rpm max 120kg/cm ² (1700psi) max int.								
BT6E-042	132.3	1200	158.8	146.1	137.3	4.3	36.4	77.8
		1800	238.1	221.5	208.2	5.4	54.5	116.7
BT6E-045	142.4	1200	170.9	158.9	151.0	4.4	39.1	83.8
		1800	256.3	238.4	226.5	5.7	58.7	125.6
BT6E-050	158.5	1200	190.2	178.8	171.6	4.7	43.6	93.2
		1800	285.3	271.0	260.2	6.1	65.4	139.9
BT6E-052	164.8	1200	197.8	187.9	180.4	4.8	45.3	96.9
		1800	296.6	281.8	270.5	6.2	67.9	145.4
BT6E-057	179.8	1200	215.8	205.0	198.8	5.1	49.4	105.8
		1800	323.6	307.5	298.2	6.6	74.1	158.6
BT6E-062	196.7	1200	236.0	224.2	217.5	5.4	54.1	115.7
		1800	354.1	336.4	326.3	7.1	81.1	173.6
BT6E-066	213.3	1200	256.0	245.7	240.8	5.7	58.6	125.5
		1800	383.9	368.6	361.2	7.5	87.9	188.2
BT6E-072	227.1	1200	272.5	261.6	256.4	5.9	62.4	133.6
		1800	408.8	392.4	384.6	7.8	93.6	200.4
BT6E-085*	269.8	1200	323.8					
		1800	485.6					
* 085 - 2000 rpm max, 90kg/cm ² (1300psi) max int.								

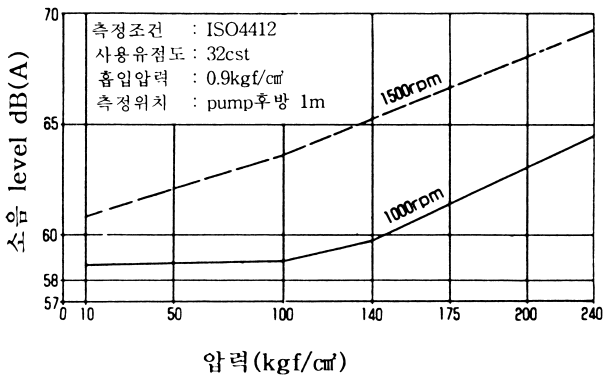
■ 성능곡선

BT6C

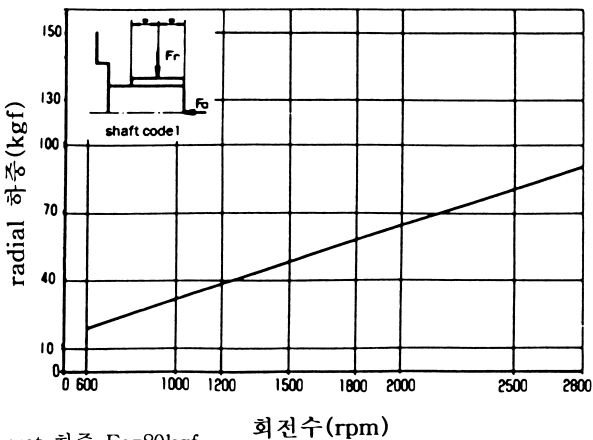
내부 Leakage



소음특성

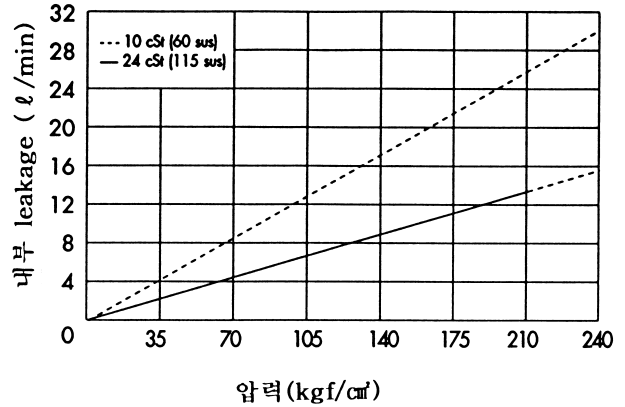


허용하중

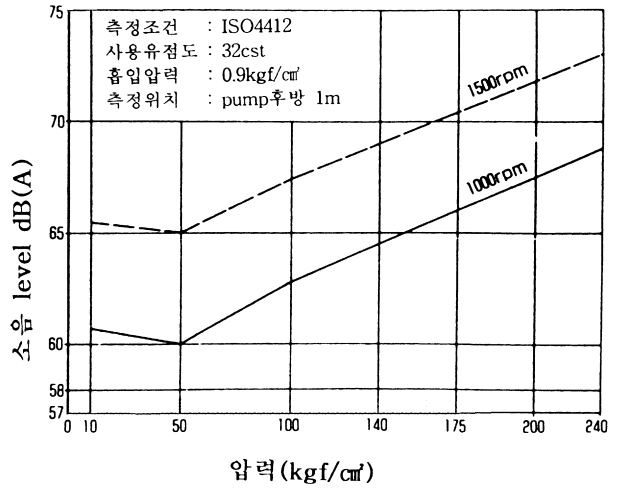


BT6D

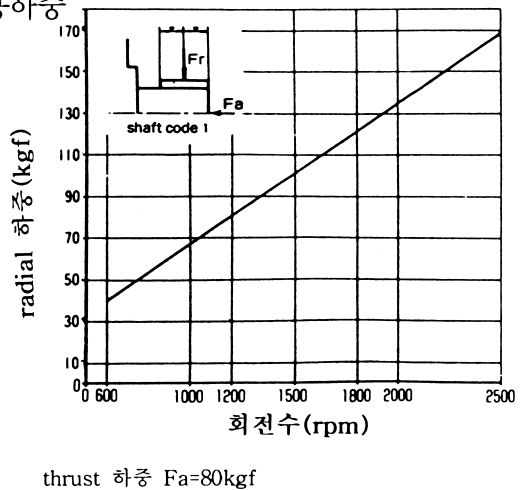
내부 Leakage



소음특성

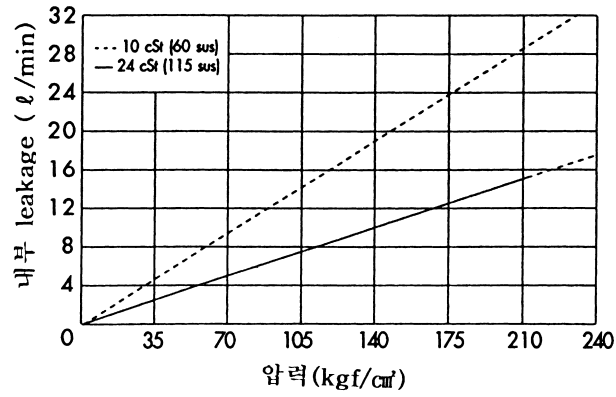


허용하중

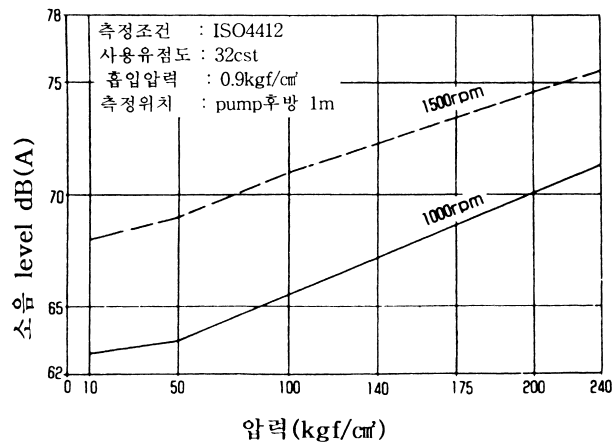


BT6E

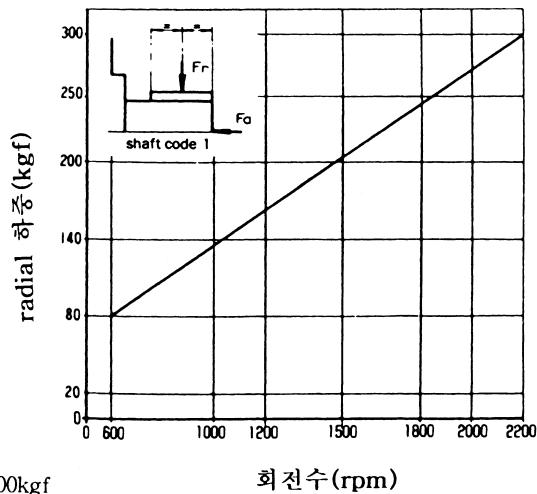
내부 Leakage



소음특성



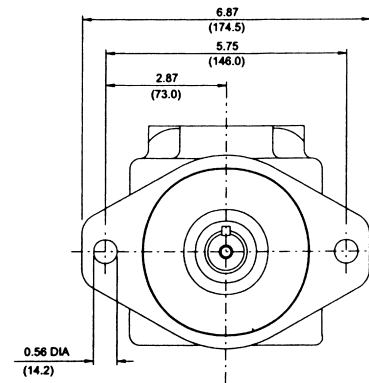
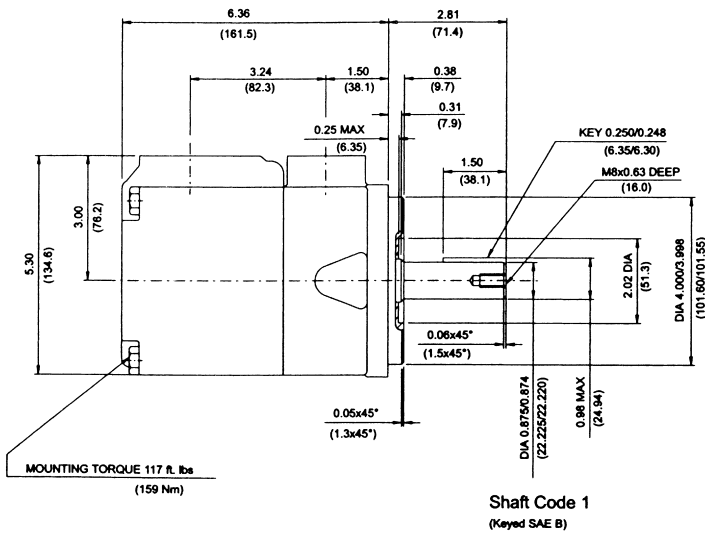
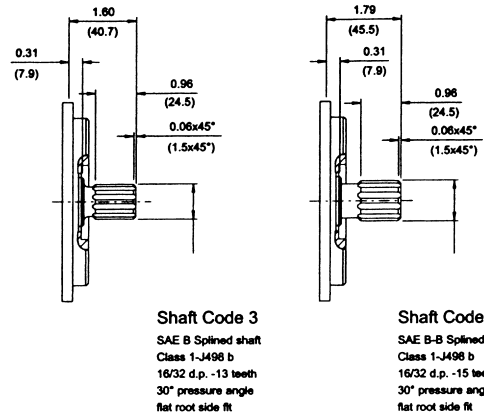
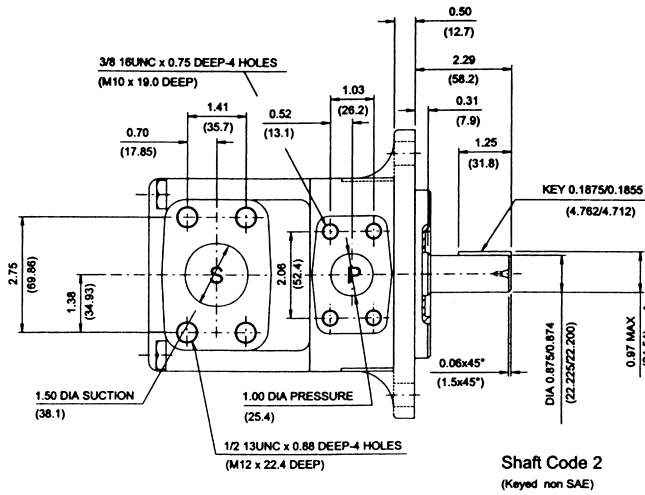
허용하중



thrust 하중 Fa=200kgf

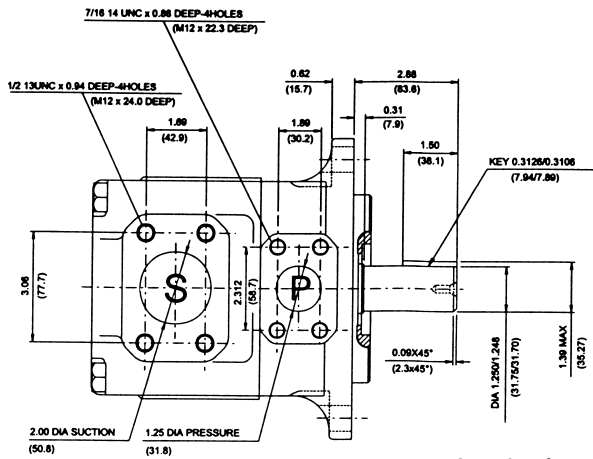
외형치수도

BT6C/BT6CM

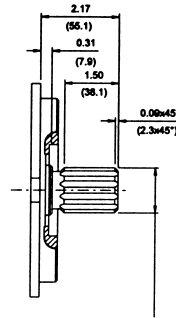


Shaft torque limits in ³ /rev x psi (ml/rev x bar)		
Pump	Shaft Code	V x P max.
BT6C BT6CM	1	14615 (16500)
	2	12666 (14300)
	3	18246 (20600)

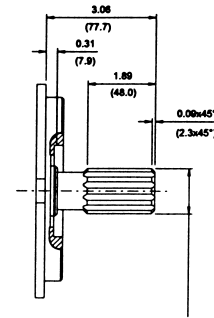
BT6D/BT6DM/BT6DP



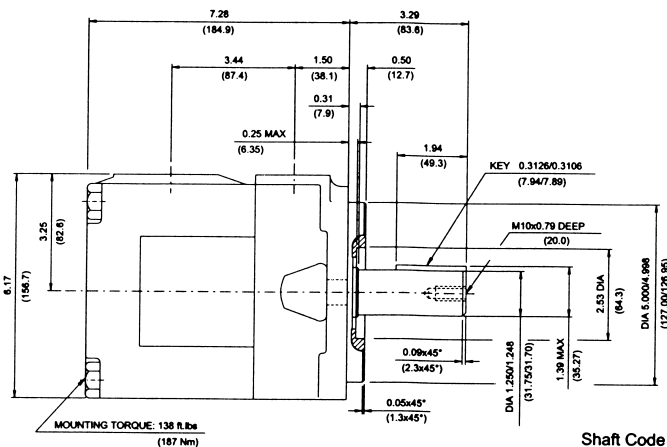
Shaft Code2
(keyed non SAE)



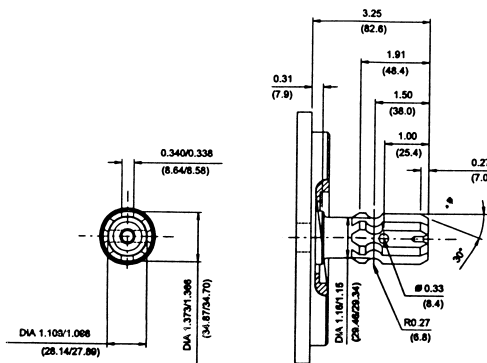
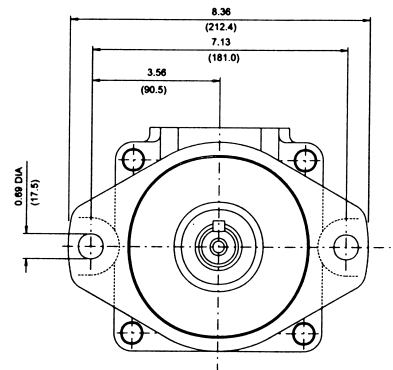
Shaft Code3
SAE C Splined shaft
Class 1-J498 b
12/24 d.p.-14 teeth
30° Pressure angle
flat root side fit



Shaft Code4
non SAE Splined shaft
Class 1-J498 b
12/24 d.p.-14 teeth
30° Pressure angle
flat root side fit

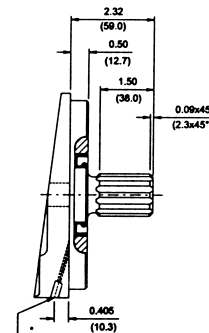


Shaft Code 1
(Keyed non SAE)



BT6DM

Shaft CodeT
non SAE Splined shaft
SAE J718C
540 rpm power take-off
For Farm Tractors application



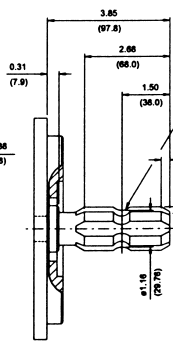
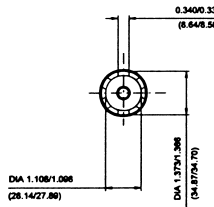
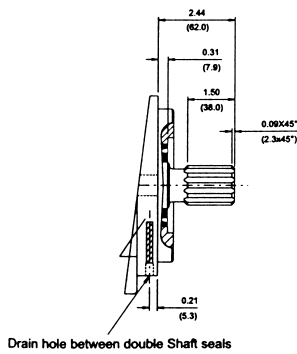
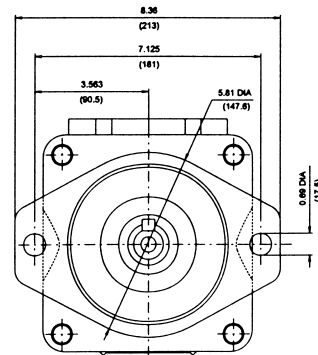
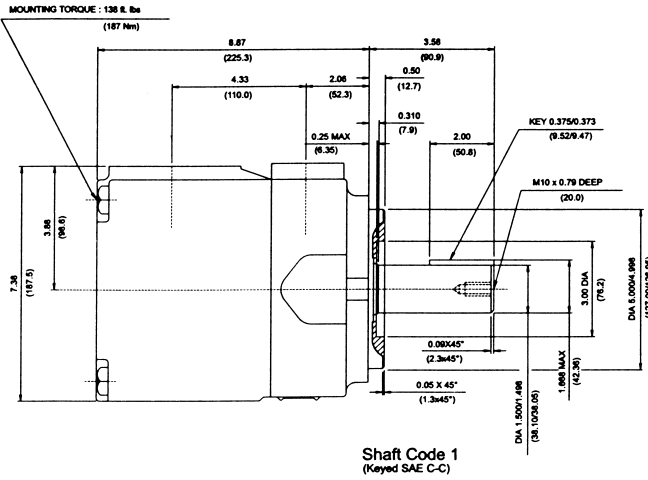
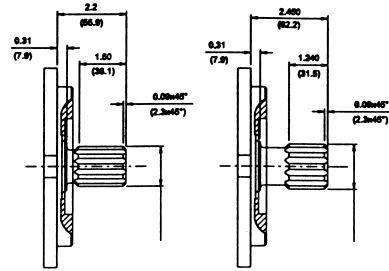
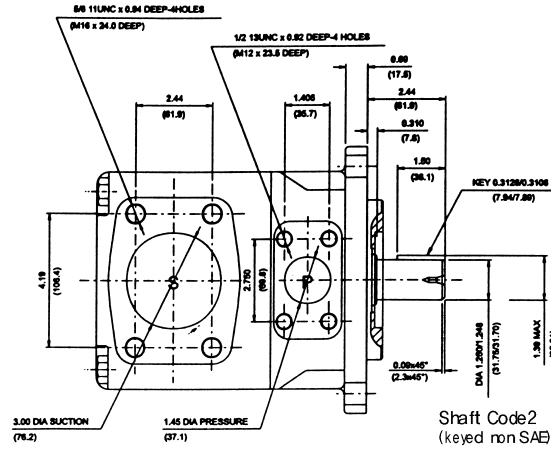
BT6DP

Shaft Code3
non SAE Splined shaft
Class 1-J498 b
12/12 d.p.-14 teeth
30° pressure angle
flat root side fit

*Drain hole between double shaft seals.

Shaft torque limits in $\frac{1}{2}$ rev x psi (ml/rev x bar)		
Pump	Shaft Code	V x P max.
BT6D/BT6DM	2	30638 (34590)

BT6E/BT6EM/BT6EP



Shaft torque limits in ³ /rev x psi (ml/rev x bar)		
Pump	Shaft Code	V x P max.
BT6E	2	30638 (34590)
BT6EM	T	62356 (70400)
BT6EP	3	54207 (61200)